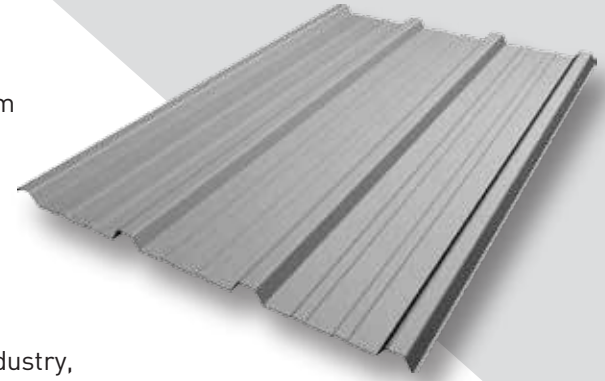


# UNILINE "R" WALL PANEL SYSTEM

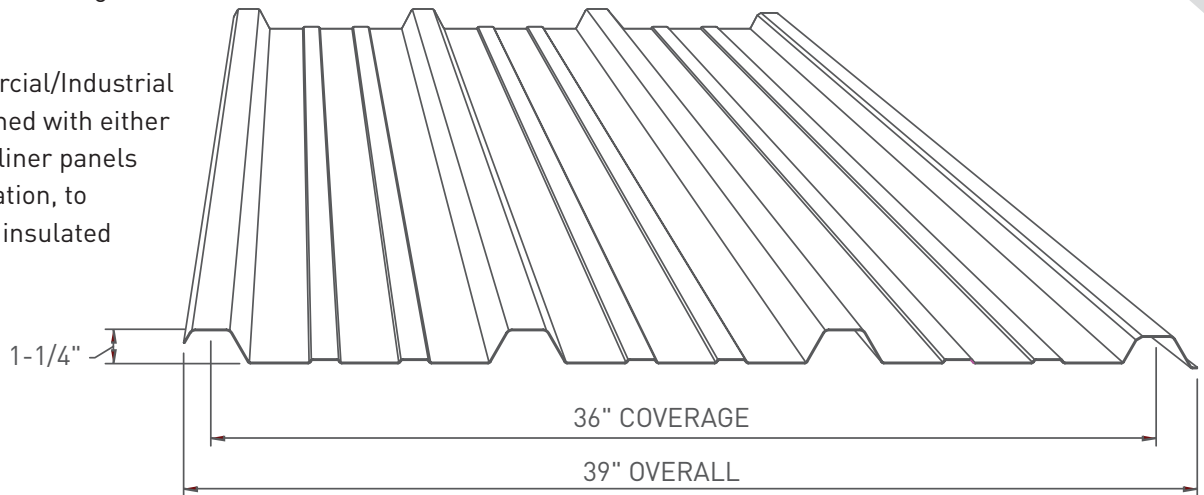
Englert offers a full line of commercial/industrial wall panels, available in a wide range of colors all in a Kynar 500<sup>®</sup> paint finish that meet specific aesthetic and corrosion resistance requirements. Architects and builders can choose from a variety of Englert's economical and durable wall panel systems, suitable for use in pre-engineered metal building applications, agricultural structures, commercial buildings and industrial buildings.



## Englert Uniline "R" Wall Panel System

The **Englert Uniline "R" Wall Panel System**, the staple of the metal building industry, combines strength with a deep, wide panel profile for a clean, bold look. The wall panel is easy to install and is designed for maximum durability.

All of the Englert Commercial/Industrial Wall Panels can be designed with either rigid board insulation, or liner panels and fiber glass batt insulation, to produce field assembled, insulated siding systems.



## UNILINE "R" LOAD TABLE

STRESS GOVERNING: 37 ksi yield for 18 and 20 Ga; 50 ksi for 22 and 24 Ga (PSF)

	THICKNESS	# SPANS	SPAN LENGTH														
			3'	3' 6"	4'	4' 6"	5'	5' 6"	6'	6' 6"	7'	7' 6"	8'	8' 6"	9'	9' 6"	10'
STANDARD STOCK	24 Ga STL.	1	117	86	66	52	42	35	29	25	21	18	16	14	13		
		Defl.	0.14"	0.18"	0.24"	0.30"	0.38"	0.46"	0.54"	0.64"	0.74"	0.85"	0.96"	1.09"	1.22"		
		3	137	100	77	61	49	40	34	29	25	22	19	17	15	13	12
	22 Ga STL.	1	160	117	90	71	57	47	40	34	29	25	22	19	17	16	14
		Defl.	0.14"	0.19"	0.24"	0.31"	0.38"	0.46"	0.55"	0.64"	0.75"	0.86"	0.97"	1.10"	1.23"	1.37"	1.52"
		3	193	142	108	86	69	57	48	41	35	31	27	24	21	19	17
NON-STANDARD STOCK	20 Ga STL.	1	159	117	89	71	57	47	39	34	29	25	22	19	17	15	14
		Defl.	0.10"	0.14"	0.18"	0.23"	0.29"	0.35"	0.41"	0.48"	0.56"	0.64"	0.73"	0.83"	0.93"	1.03"	1.14"
		3	183	135	103	81	66	54	45	39	33	29	25	22	20	18	16
	18 Ga STL.	1	216	158	121	96	77	64	54	46	39	34	30	26	24	21	19
		Defl.	0.10"	0.14"	0.18"	0.23"	0.29"	0.35"	0.41"	0.48"	0.56"	0.64"	0.73"	0.83"	0.93"	1.03"	1.14"
		3	253	185	142	112	91	75	63	53	46	40	35	31	28	25	22
		Defl.	0.07"	0.10"	0.13"	0.16"	0.20"	0.25"	0.29"	0.34"	0.40"	0.46"	0.52"	0.59"	0.66"	0.73"	0.81"

Non-Standard Stock available upon request.

Englert reserves the right to revise, add or delete any detail or information herein without prior notice.