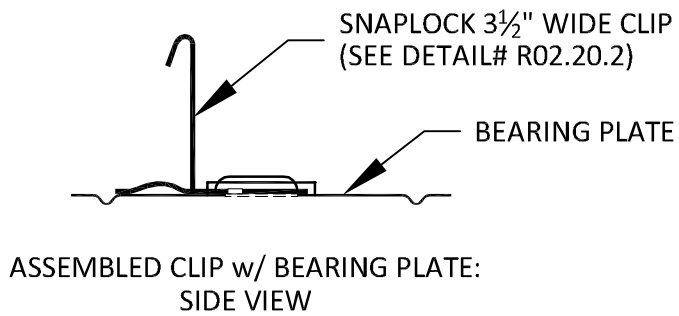
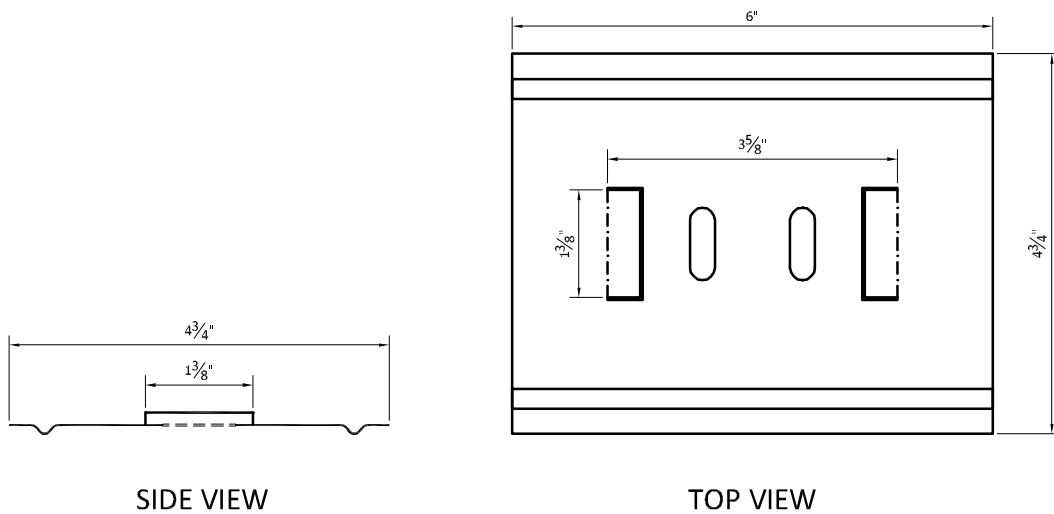


USE WITH: ENGLERT S2000 PANEL  
 UNDER SNAPLOCK 3½" WIDE CLIP

PRODUCT# 05075C (24 ga GALVALUME) BEARING PLATE

GRAPHIC SCALE 

(CLIP 05075C SHOWN. SEE PROJECT SAMPLE FOR ACTUAL CLIP DIMENSIONS.)



 **ENGLERT™**  
 www.englertinc.com  
 800-364-5378

GENERIC BEST PRACTICE ASSEMBLY SHOWN. WATERTIGHTNESS WARRANTY NOT IMPLIED. WHEN SITE CONDITION DIFFERS, SPECIFIC ENGINEERING NECESSARY.

<b>ROOF CLIP</b>
<b>SERIES S2000 - BEARING PLATE</b>

DETAIL SUBJECT TO CHANGE WITHOUT NOTICE.
<b>Detail # R02.20.3</b>