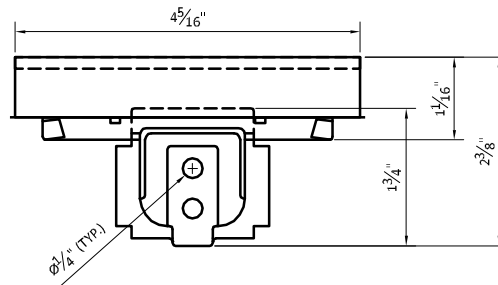


USE WITH: ENGLERT S2400 PANEL

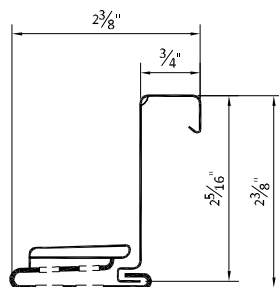
PRODUCT# 05082F (22 ga Galv, 2³/₈" high), or 05082C (22 ga Galv, 3" high)
 STANDARD USE w/ 1" THERMAL BLOCK

GRAPHIC SCALE 

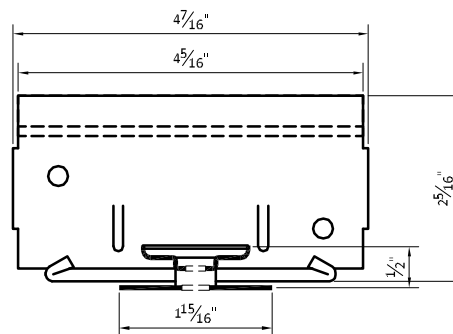
(CLIP ASSUMED TO BE 05082C SHOWN. SEE PROJECT SAMPLE FOR ACTUAL CLIP DIMENSIONS.)



TOP VIEW



SIDE VIEW



FRONT ELEVATION

 **ENGLERT**[™]
 www.englertinc.com
 800-364-5378

GENERIC BEST PRACTICE ASSEMBLY
 SHOWN. WATERTIGHTNESS
 WARRANTY NOT IMPLIED.
 WHEN SITE CONDITION DIFFERS,
 SPECIFIC ENGINEERING NECESSARY.

ROOF CLIP

SERIES S2400 - 90° FLOATING 2"

DETAIL SUBJECT TO CHANGE
 WITHOUT NOTICE.

Detail #
R02.24-sf