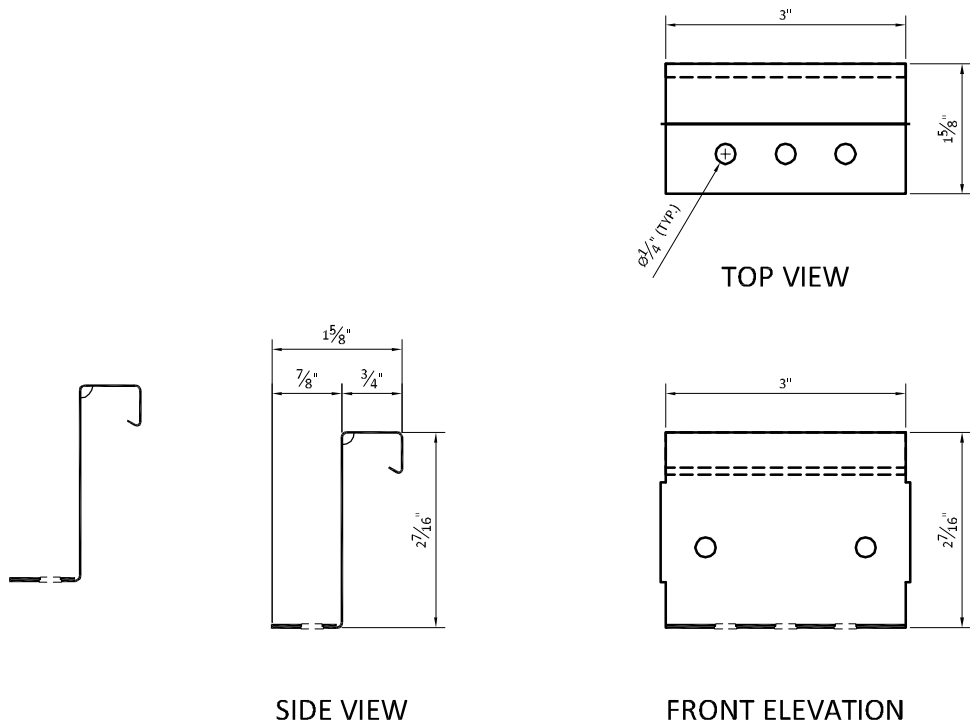


USE WITH: ENGLERT S2400 PANEL

PRODUCT# 05081B (22 ga Galv, 2³/₈" high), or 05081C (22 ga Galv, 3" high)
 STANDARD USE w/ 1" THERMAL BLOCK

GRAPHIC SCALE 

(CLIP 05081B SHOWN. SEE PROJECT SAMPLE FOR ACTUAL CLIP DIMENSIONS.)



 **ENGLERT**[™]
 www.englertinc.com
 800-364-5378

GENERIC BEST PRACTICE ASSEMBLY SHOWN. WATERTIGHTNESS WARRANTY NOT IMPLIED. WHEN SITE CONDITION DIFFERS, SPECIFIC ENGINEERING NECESSARY.

ROOF CLIP

SERIES S2400 - 90° FIXED 2"

DETAIL SUBJECT TO CHANGE WITHOUT NOTICE.

Detail #
R02.24-sx