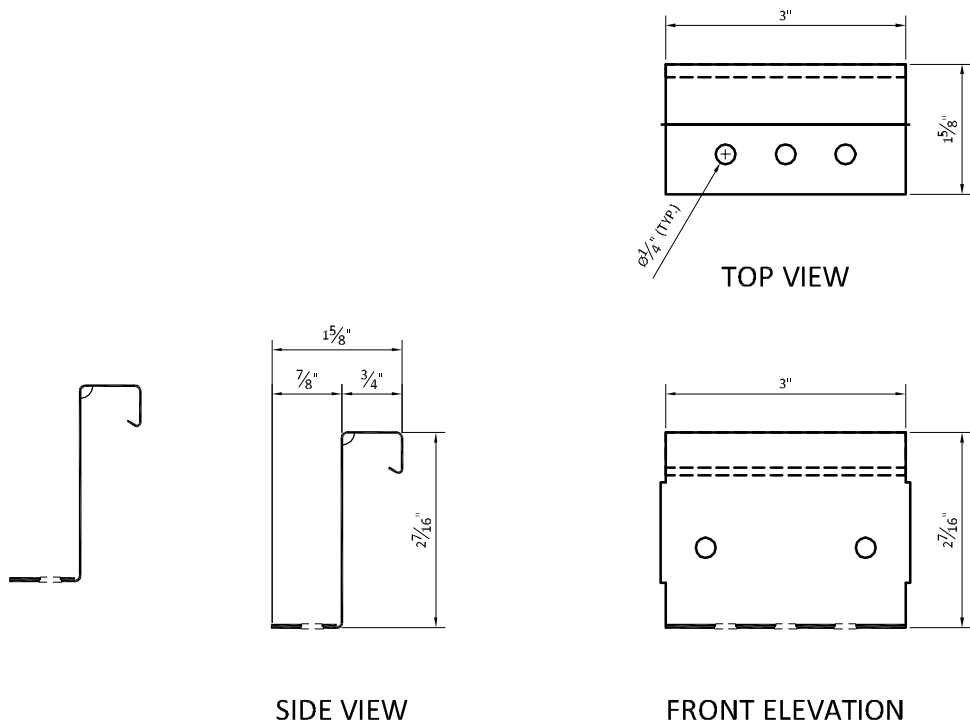


USE WITH: ENGLERT S2500 PANEL

PRODUCT# 05081B (22 ga Galv, 2<sup>3</sup>/<sub>8</sub>" high), or 05081C (22 ga Galv, 3" high)  
 STANDARD USE w/ 1" THERMAL BLOCK

GRAPHIC SCALE 

(CLIP 05081B SHOWN. SEE PROJECT SAMPLE FOR ACTUAL CLIP DIMENSIONS.)



 **ENGLERT**<sup>™</sup>  
 www.englertinc.com  
 800-364-5378

GENERIC BEST PRACTICE ASSEMBLY SHOWN. WATERTIGHTNESS WARRANTY NOT IMPLIED. WHEN SITE CONDITION DIFFERS, SPECIFIC ENGINEERING NECESSARY.

**ROOF CLIP**

**SERIES S2500 - 90° FIXED 2"**

DETAIL SUBJECT TO CHANGE WITHOUT NOTICE.

Detail #  
**R02.25-sx**