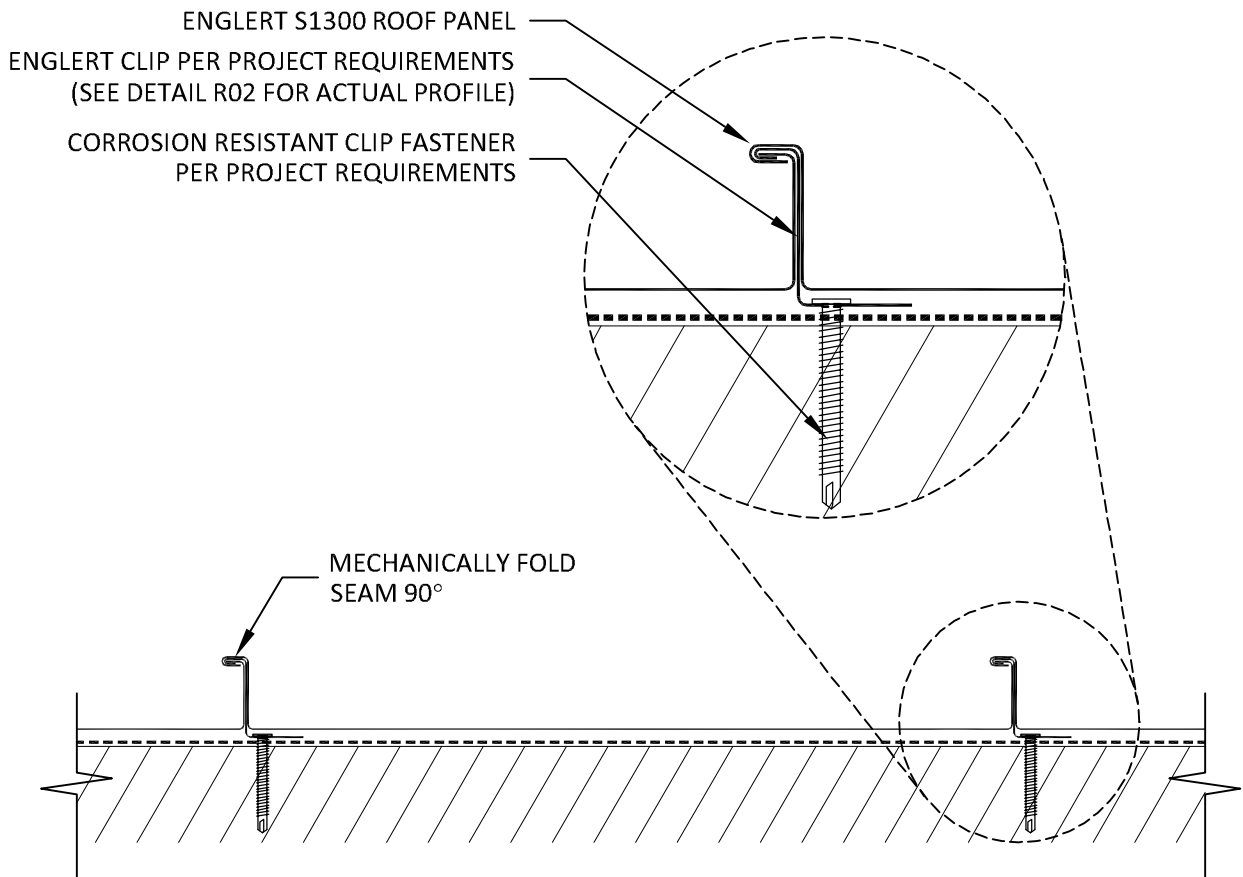


PHASE 1: INSTALL PRODUCTS

FOR USE ON SOLID SUBSTRATES SUCH AS:
SOLID DECK or HARD SURFACE



PHASE 2: FIELD SEAMING

ENGLERT™
www.englertinc.com
800-364-5378

GENERIC BEST PRACTICE ASSEMBLY SHOWN. WATERTIGHTNESS WARRANTY NOT IMPLIED. WHEN SITE CONDITION DIFFERS, SPECIFIC ENGINEERING NECESSARY.

ROOF PANEL SEAM	
SERIES S1300 - 90° SEAM	

DETAIL SUBJECT TO CHANGE WITHOUT NOTICE.
Detail #
R04.13-s