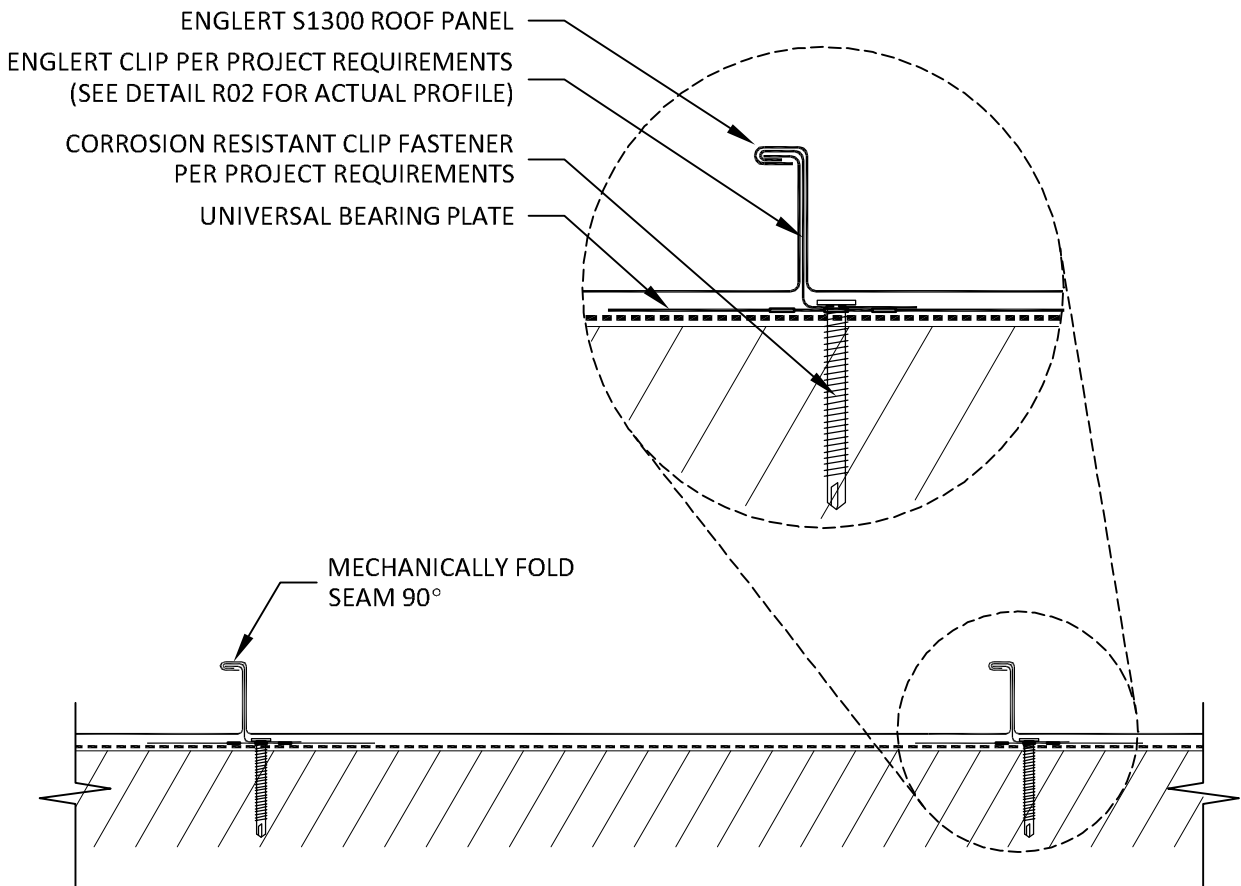


**PHASE 1: INSTALL PRODUCTS**  
FOR USE ON RIGID INSULATION



**PHASE 2: FIELD SEAMING**

**ENGLERT**  
www.englertinc.com  
800-364-5378

GENERIC BEST PRACTICE ASSEMBLY  
SHOWN. WATERTIGHTNESS  
WARRANTY NOT IMPLIED.  
WHEN SITE CONDITION DIFFERS,  
SPECIFIC ENGINEERING NECESSARY.

**ROOF PANEL SEAM**

**SERIES S1300 - 90° SEAM w/ BEARING PLATE**

DETAIL SUBJECT TO CHANGE  
WITHOUT NOTICE.

Detail #  
**R04.13-sb**