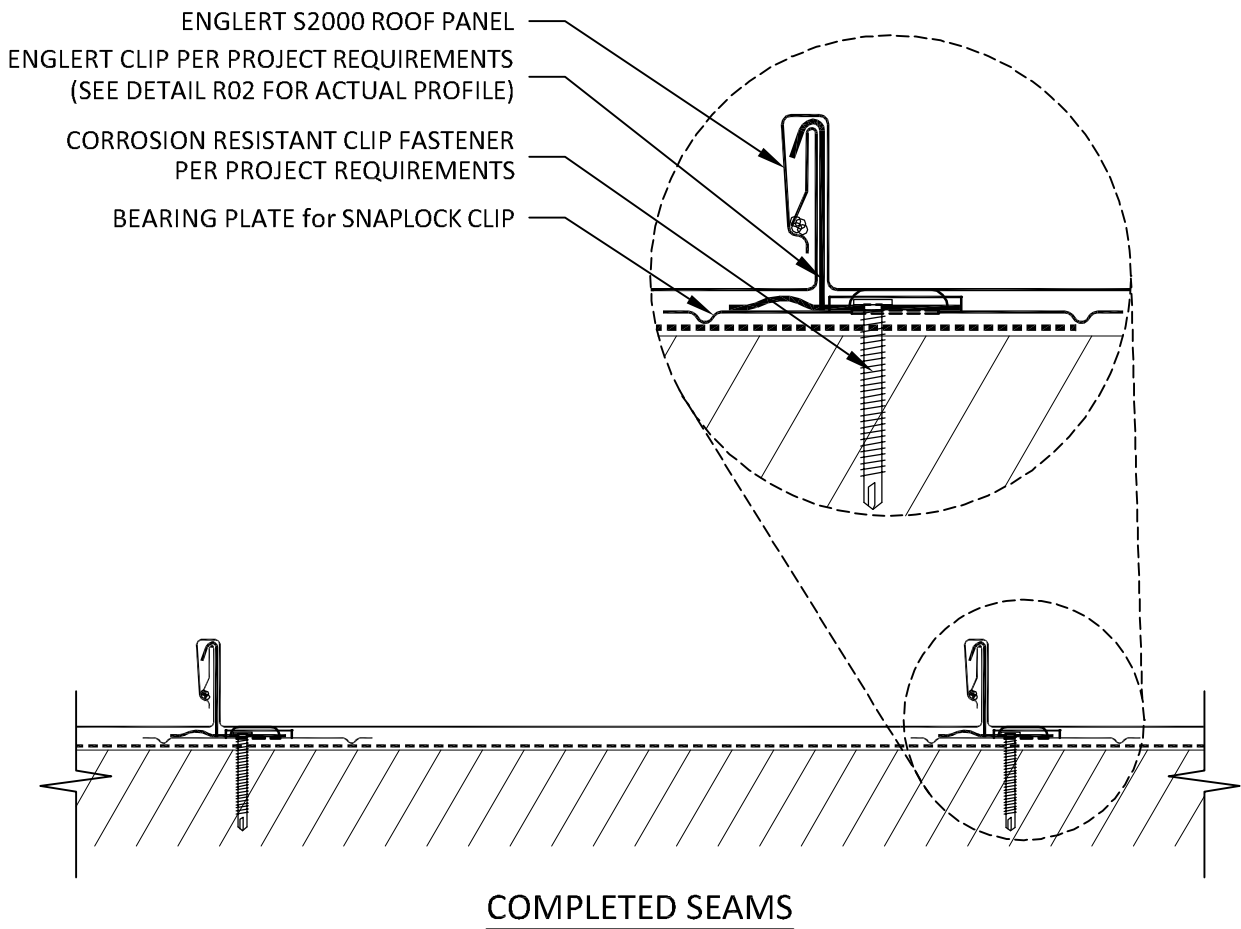


INSTALLING PRODUCTS
FOR USE ON RIGID INSULATION



ENGLERT
www.englertinc.com
800-364-5378

GENERIC BEST PRACTICE ASSEMBLY
SHOWN. WATERTIGHTNESS
WARRANTY NOT IMPLIED.
WHEN SITE CONDITION DIFFERS,
SPECIFIC ENGINEERING NECESSARY.

ROOF PANEL SEAM

SERIES S2000 - SNAPLOCK SEAM w/ BEARING PLATE

DETAIL SUBJECT TO CHANGE
WITHOUT NOTICE.

Detail #
R04.20-b