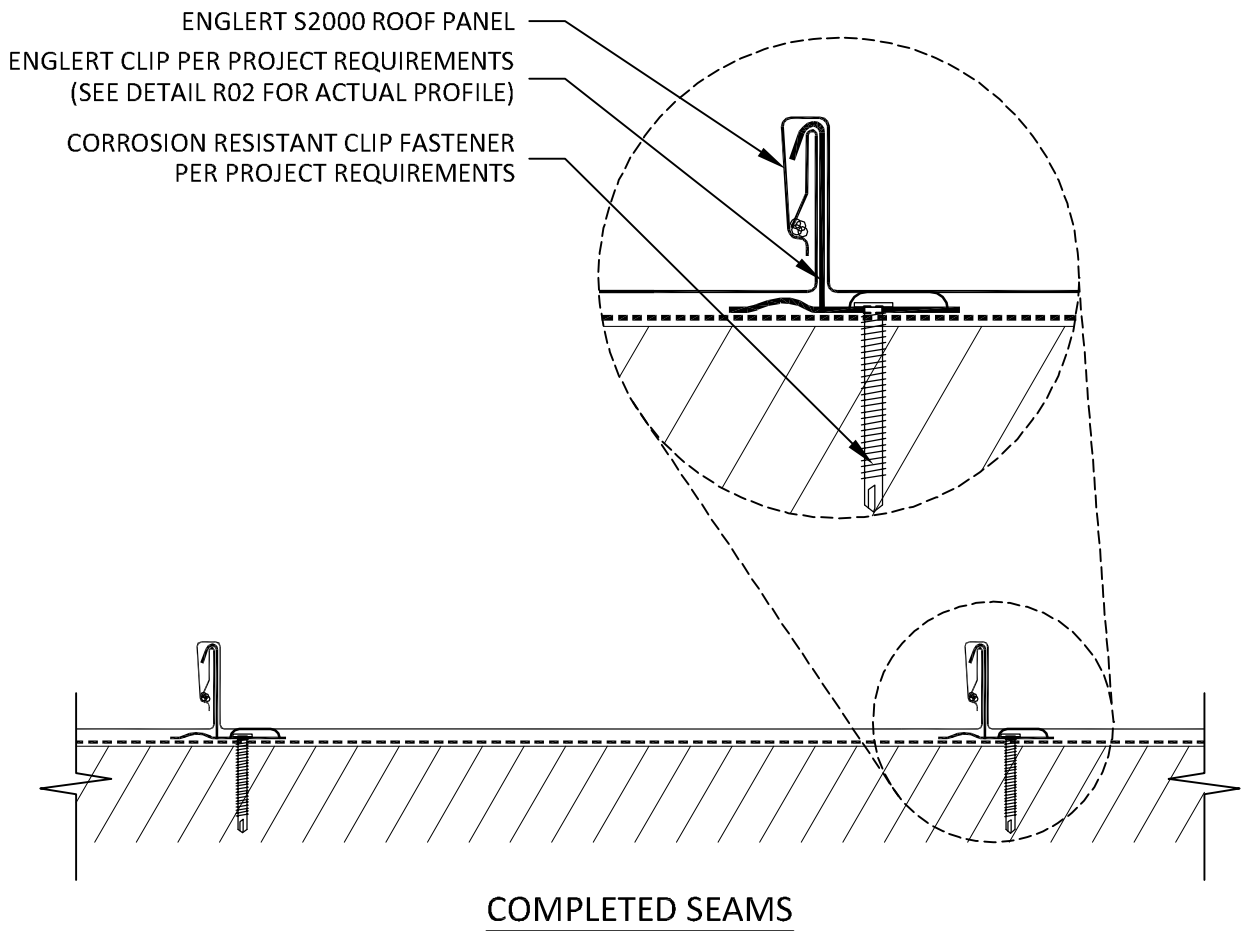


### INSTALLING PRODUCTS

FOR USE ON SOLID SUBSTRATES SUCH AS:  
SOLID DECK, HARD SURFACE, or OPEN FRAMING



 **ENGLERT**<sup>™</sup>  
www.englertinc.com  
800-364-5378

GENERIC BEST PRACTICE ASSEMBLY  
SHOWN. WATERTIGHTNESS  
WARRANTY NOT IMPLIED.  
WHEN SITE CONDITION DIFFERS,  
SPECIFIC ENGINEERING NECESSARY.

## ROOF PANEL SEAM

SERIES S2000 - SNAPLOCK SEAM

DETAIL SUBJECT TO CHANGE  
WITHOUT NOTICE.

Detail #

**R04.20**