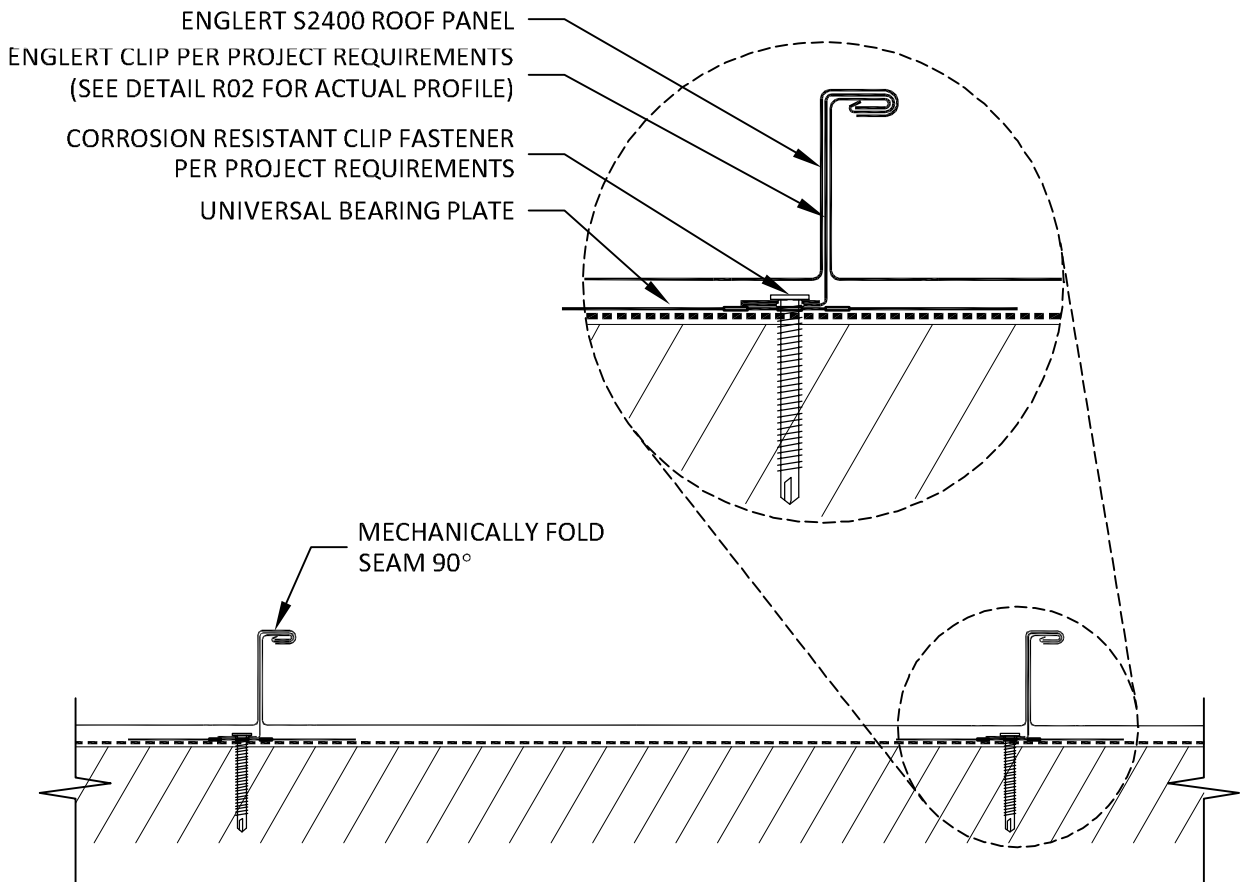


PHASE 1: INSTALL PRODUCTS
FOR USE ON RIGID INSULATION



PHASE 2: FIELD SEAMING

ENGLERT™
www.englertinc.com
800-364-5378

GENERIC BEST PRACTICE ASSEMBLY SHOWN. WATERTIGHTNESS WARRANTY NOT IMPLIED. WHEN SITE CONDITION DIFFERS, SPECIFIC ENGINEERING NECESSARY.

ROOF PANEL SEAM

SERIES S2400 - 90° SEAM w/ BEARING PLATE

DETAIL SUBJECT TO CHANGE WITHOUT NOTICE.

Detail #
R04.24-sb