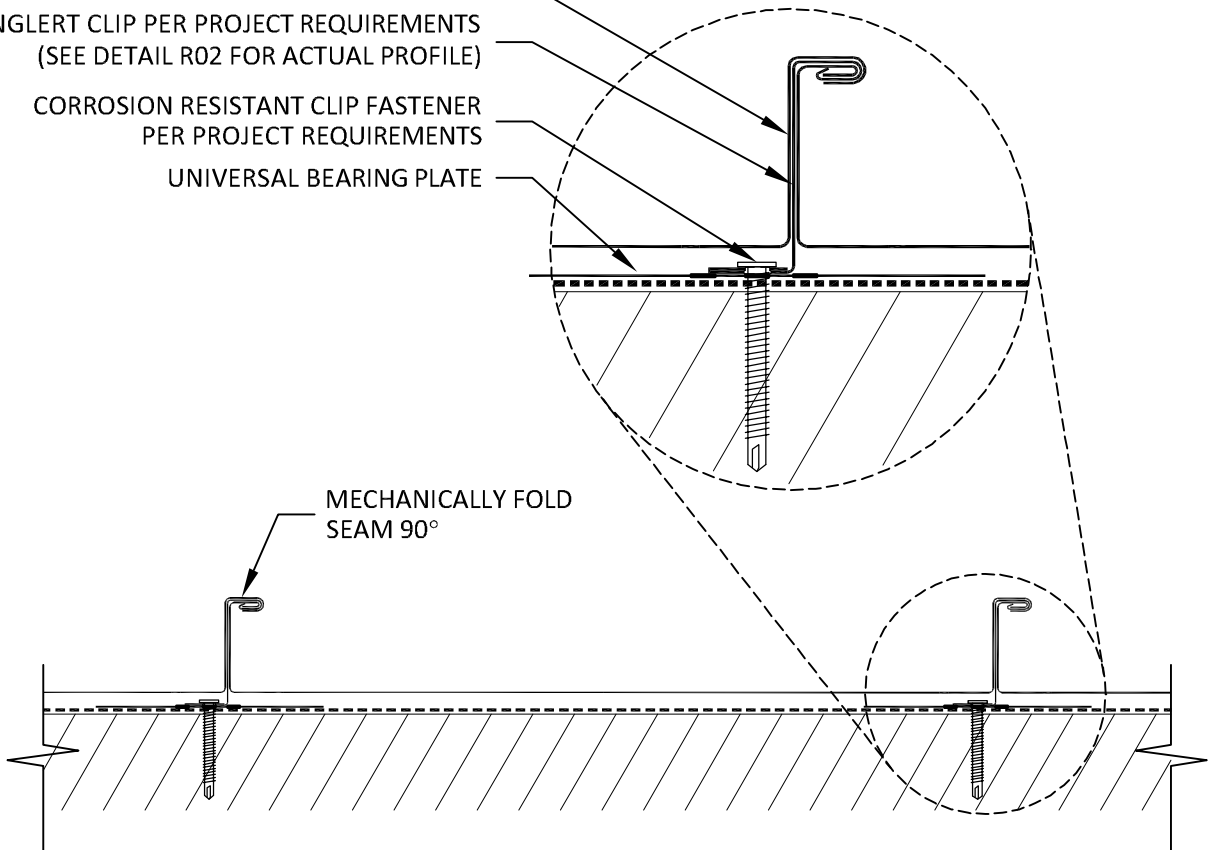


**PHASE 1: INSTALL PRODUCTS**  
FOR USE ON RIGID INSULATION

- ENGLERT S2500 ROOF PANEL
- ENGLERT CLIP PER PROJECT REQUIREMENTS  
(SEE DETAIL R02 FOR ACTUAL PROFILE)
- CORROSION RESISTANT CLIP FASTENER  
PER PROJECT REQUIREMENTS
- UNIVERSAL BEARING PLATE



**PHASE 2: FIELD SEAMING**

**ENGLERT**  
www.englertinc.com  
800-364-5378

GENERIC BEST PRACTICE ASSEMBLY  
SHOWN. WATERTIGHTNESS  
WARRANTY NOT IMPLIED.  
WHEN SITE CONDITION DIFFERS,  
SPECIFIC ENGINEERING NECESSARY.

**ROOF PANEL SEAM**

**SERIES S2500 - 90° SEAM w/ BEARING PLATE**

DETAIL SUBJECT TO CHANGE  
WITHOUT NOTICE.

Detail #  
**R04.25-sb**