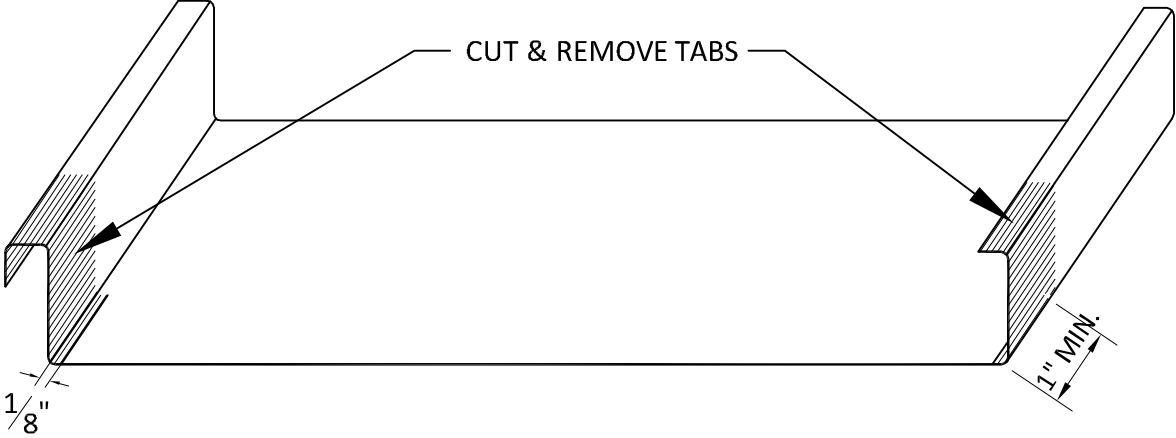
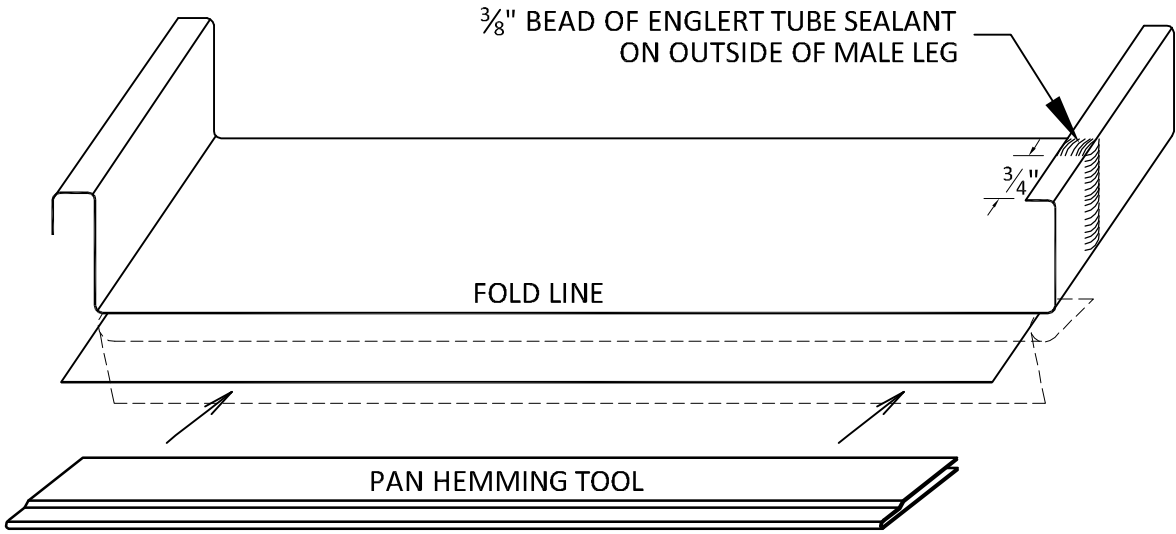


NOTE: LENGTH OF TAB VARIES
 BASED ON PANEL LENGTH.
 SEE ENGLERT EXPANSION CHART.



PHASE 1: CORNER CUTS



PHASE 2: FOLD BACK FLANGE

ENGLERT[™]
 www.englertinc.com
 800-364-5378

GENERIC BEST PRACTICE ASSEMBLY
 SHOWN. WATERTIGHTNESS
 WARRANTY NOT IMPLIED.
 WHEN SITE CONDITION DIFFERS,
 SPECIFIC ENGINEERING NECESSARY.

ROOF EAVE HEM

SERIES S1300 or SERIES S1301

DETAIL SUBJECT TO CHANGE
 WITHOUT NOTICE.

Detail #
R05.13