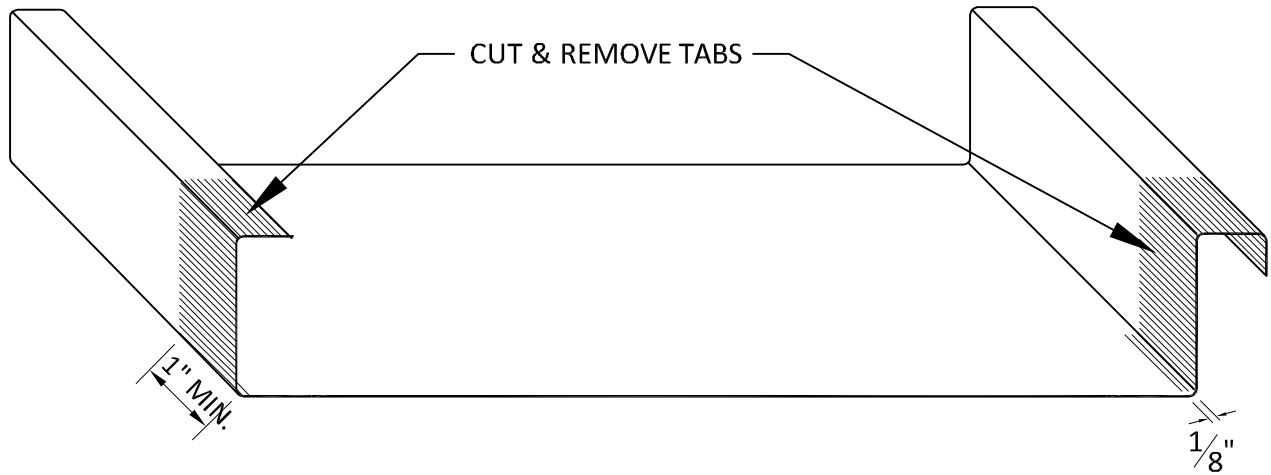
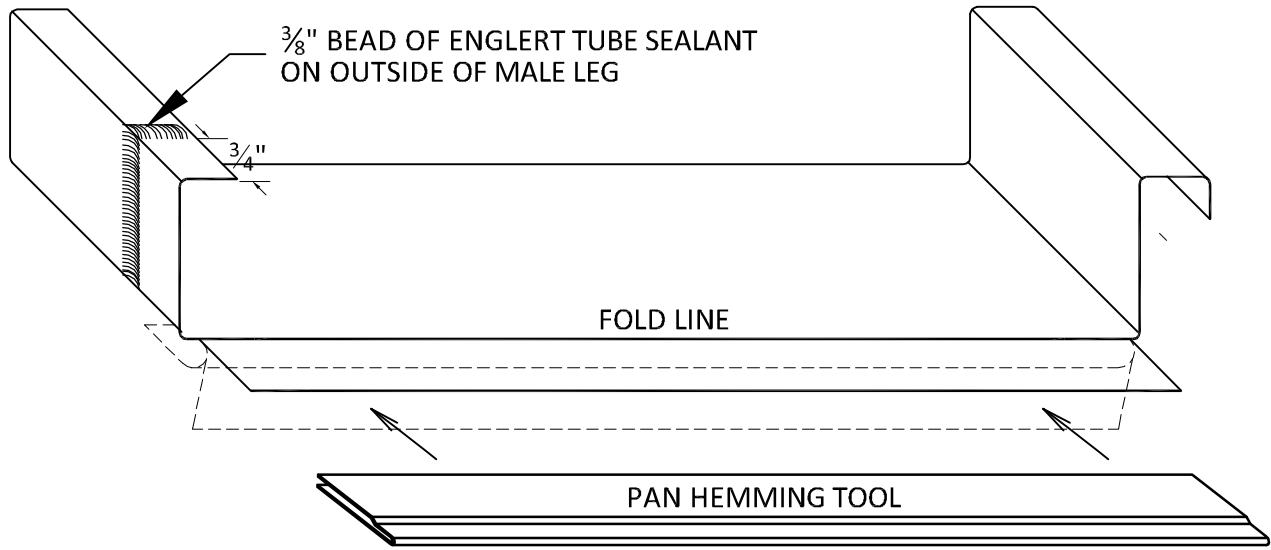


NOTE: LENGTH OF TAB VARIES  
 BASED ON PANEL LENGTH.  
 SEE ENGLERT EXPANSION CHART.



**PHASE 1: CORNER CUTS**



**PHASE 2: FOLD BACK FLANGES**

**ENGLERT™**  
 www.englertinc.com  
 800-364-5378

GENERIC BEST PRACTICE ASSEMBLY  
 SHOWN. WATERTIGHTNESS  
 WARRANTY NOT IMPLIED.  
 WHEN SITE CONDITION DIFFERS,  
 SPECIFIC ENGINEERING NECESSARY.

**ROOF EAVE HEM**

**SERIES S2400**

DETAIL SUBJECT TO CHANGE  
 WITHOUT NOTICE.

Detail #  
**R05.24**