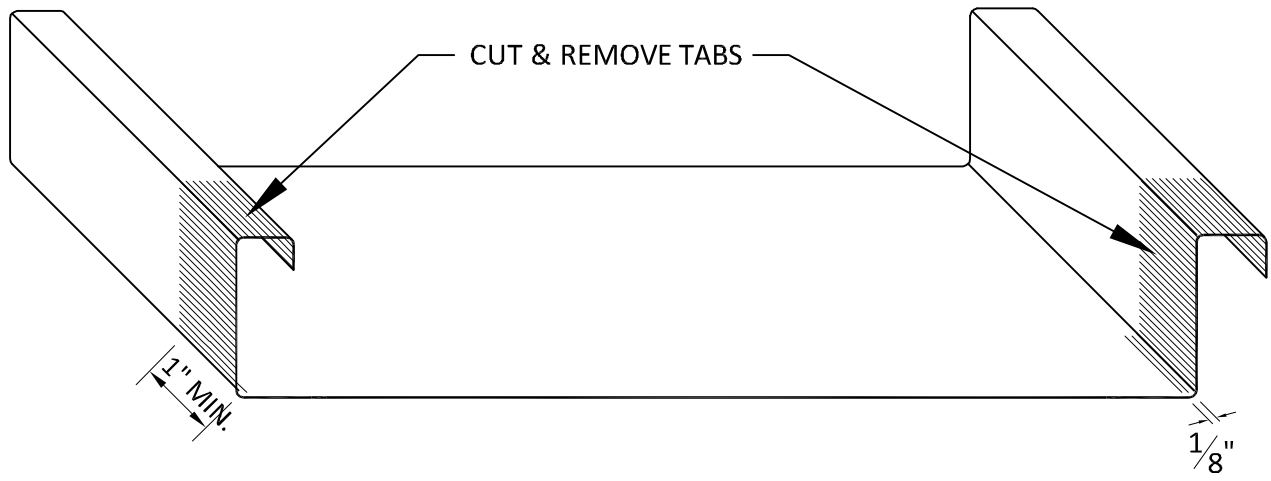
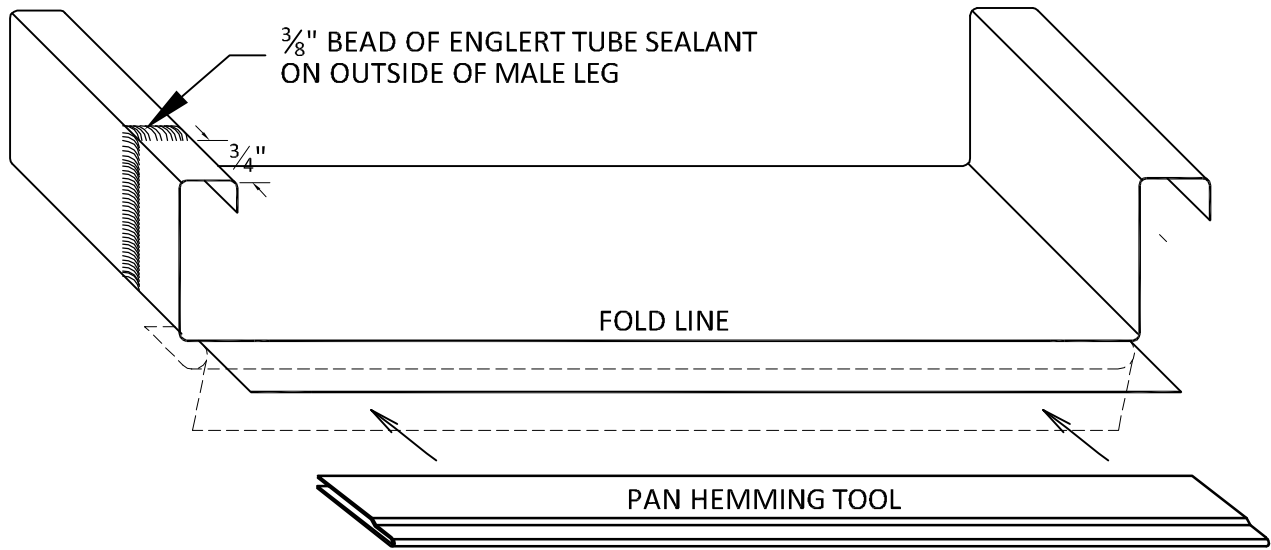


NOTE: LENGTH OF TAB VARIES
 BASED ON PANEL LENGTH.
 SEE ENGLERT EXPANSION CHART.



PHASE 1: CORNER CUTS



PHASE 2: FOLD BACK FLANGES

ENGLERT™
 www.englertinc.com
 800-364-5378

GENERIC BEST PRACTICE ASSEMBLY
 SHOWN. WATERTIGHTNESS
 WARRANTY NOT IMPLIED.
 WHEN SITE CONDITION DIFFERS,
 SPECIFIC ENGINEERING NECESSARY.

ROOF EAVE HEM

SERIES S2500

DETAIL SUBJECT TO CHANGE
 WITHOUT NOTICE.

Detail #
R05.25