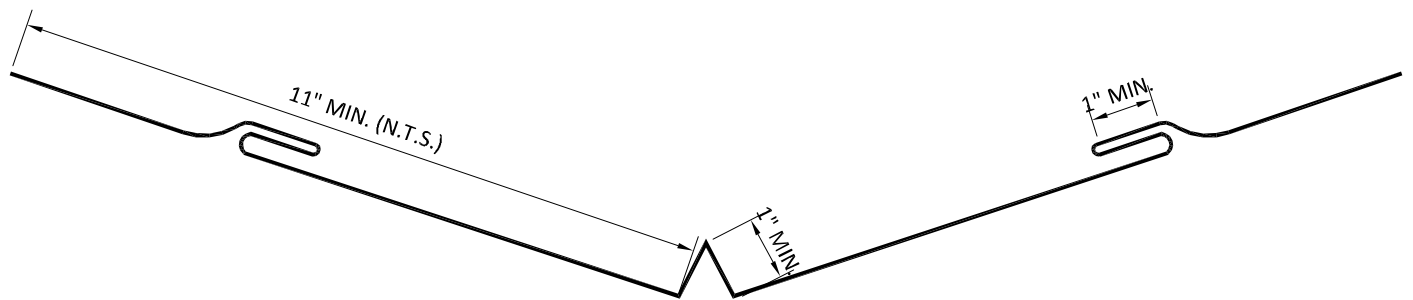
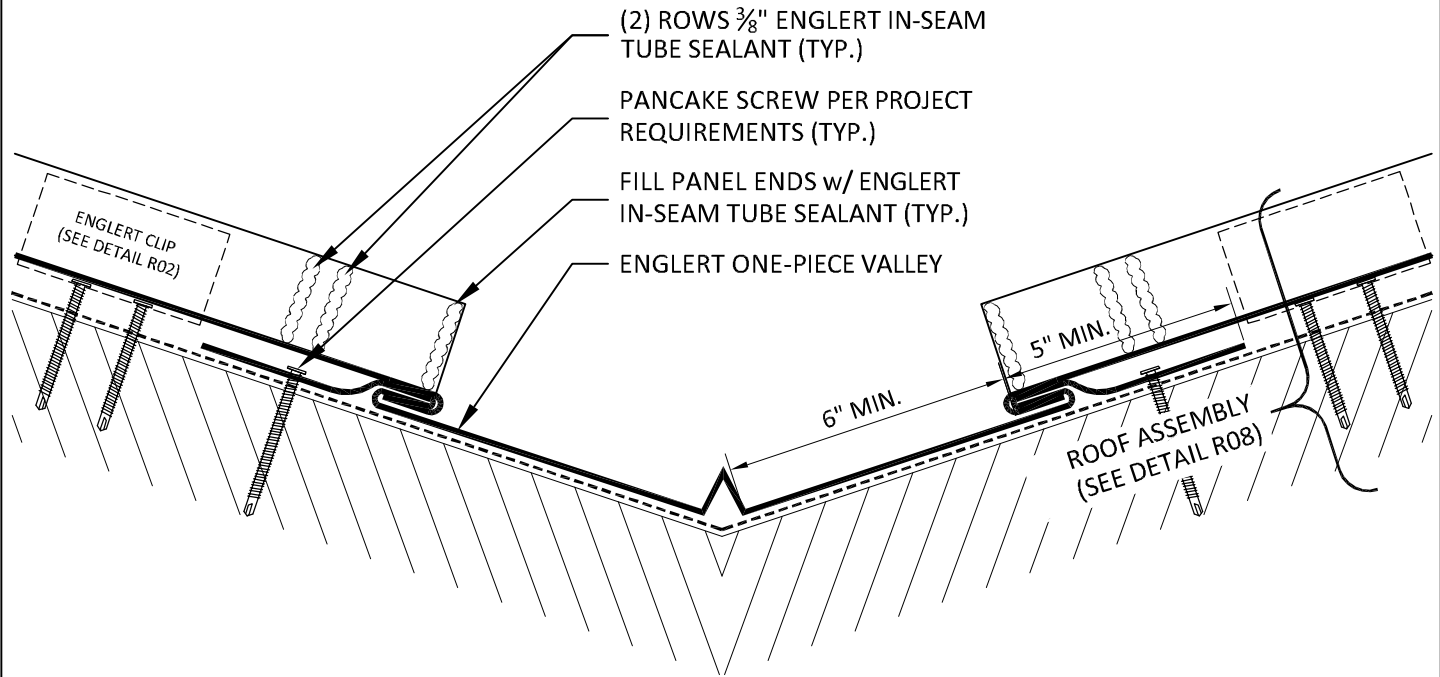


IMPORTANT! CONSULT ENGLERT TECHNICAL DEPARTMENT WHEN SLOPE IS LESS THAN 3:12 FOR REQUIRED VALLEY FLASHING WIDTH.

IMPORTANT! ENGLERT H/T UNDERLAYMENT REQUIRED ON SOLID SUBSTRATES & RIGID INSULATION. SEE DETAIL# R14 FOR INSTALLATION INSTRUCTIONS.



ENGLERT[™]
 www.englertinc.com
 800-364-5378

GENERIC BEST PRACTICE ASSEMBLY SHOWN. WATERTIGHTNESS WARRANTY NOT IMPLIED. WHEN SITE CONDITION DIFFERS, SPECIFIC ENGINEERING NECESSARY.

ROOF VALLEY
ONE-PIECE

DETAIL SUBJECT TO CHANGE WITHOUT NOTICE.
 Detail #
R14.2