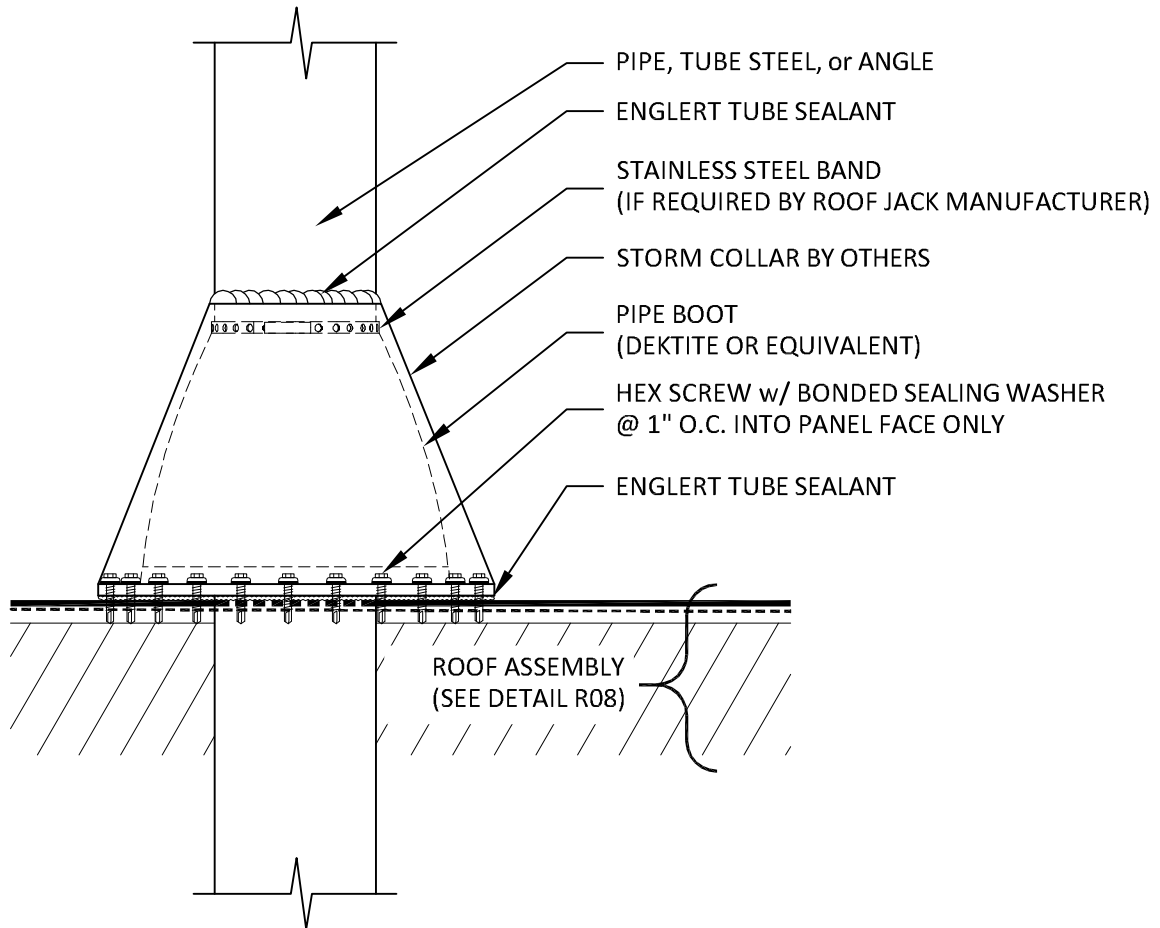


CAUTION - THIS DETAIL MAY PIN PANELS AT THIS POINT!



- PIPE, TUBE STEEL, or ANGLE
- ENGLERT TUBE SEALANT
- STAINLESS STEEL BAND (IF REQUIRED BY ROOF JACK MANUFACTURER)
- STORM COLLAR BY OTHERS
- PIPE BOOT (DEKTITE OR EQUIVALENT)
- HEX SCREW w/ BONDED SEALING WASHER @ 1" O.C. INTO PANEL FACE ONLY
- ENGLERT TUBE SEALANT

ROOF ASSEMBLY
(SEE DETAIL R08)

ENGLERT
www.englertinc.com
800-364-5378

GENERIC BEST PRACTICE ASSEMBLY SHOWN. WATERTIGHTNESS WARRANTY NOT IMPLIED. WHEN SITE CONDITION DIFFERS, SPECIFIC ENGINEERING NECESSARY.

ROOF PENETRATION

PIPE BOOT w/ STORM COLLAR

DETAIL SUBJECT TO CHANGE WITHOUT NOTICE.

Detail #
R26.1.2