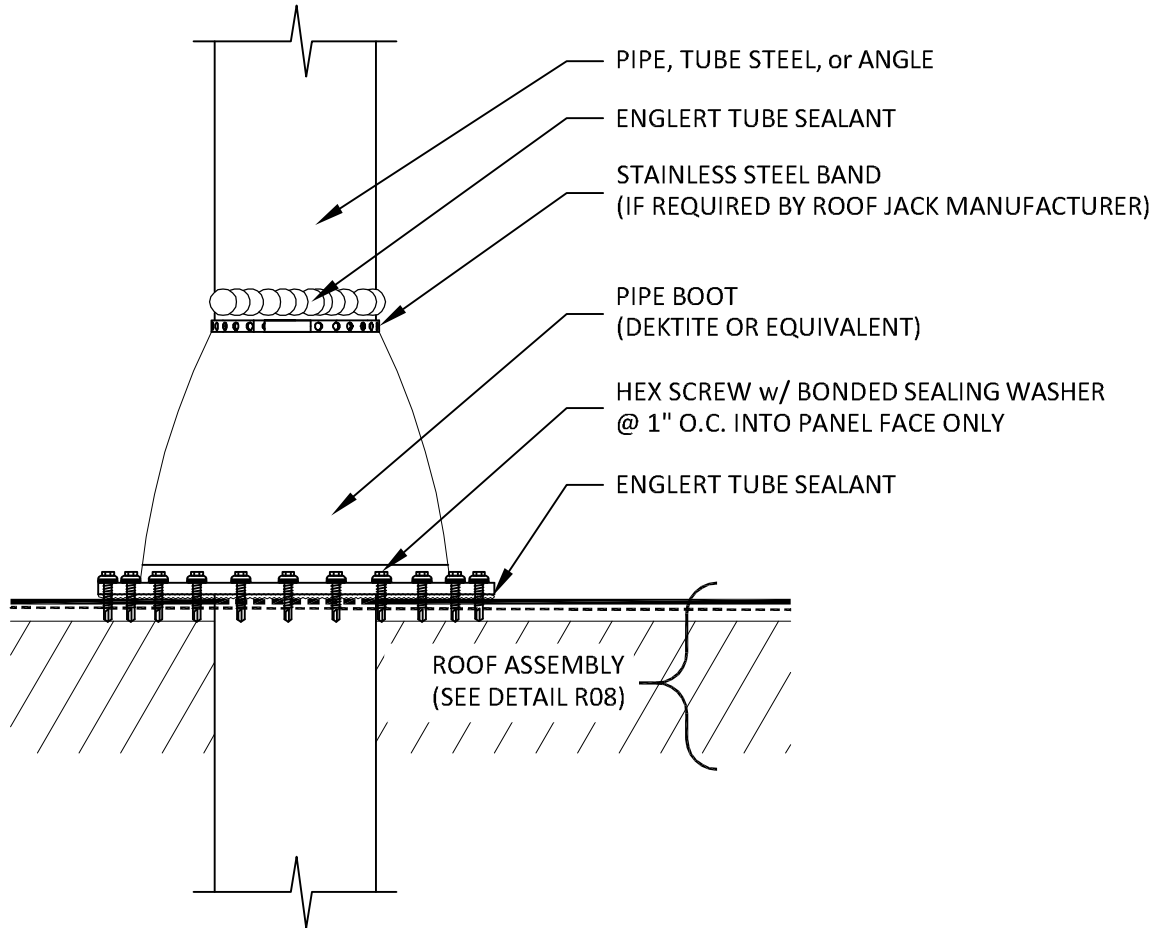


**CAUTION - THIS DETAIL MAY PIN PANELS AT THIS POINT!**




**ENGLERT™**  
 www.englertinc.com  
 800-364-5378  
 GENERIC BEST PRACTICE ASSEMBLY  
 SHOWN. WATERTIGHTNESS  
 WARRANTY NOT IMPLIED.  
 WHEN SITE CONDITION DIFFERS,  
 SPECIFIC ENGINEERING NECESSARY.

**ROOF PENETRATION**  
**PIPE BOOT**

DETAIL SUBJECT TO CHANGE  
 WITHOUT NOTICE.  
 Detail #  
**R26.1**