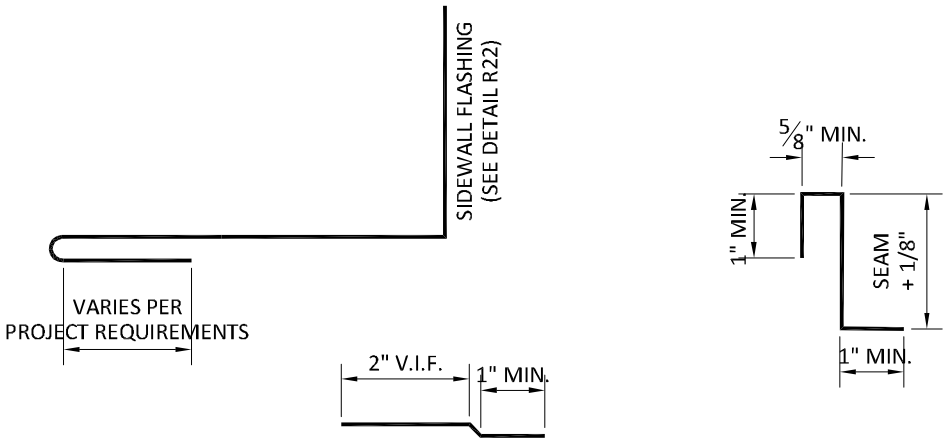
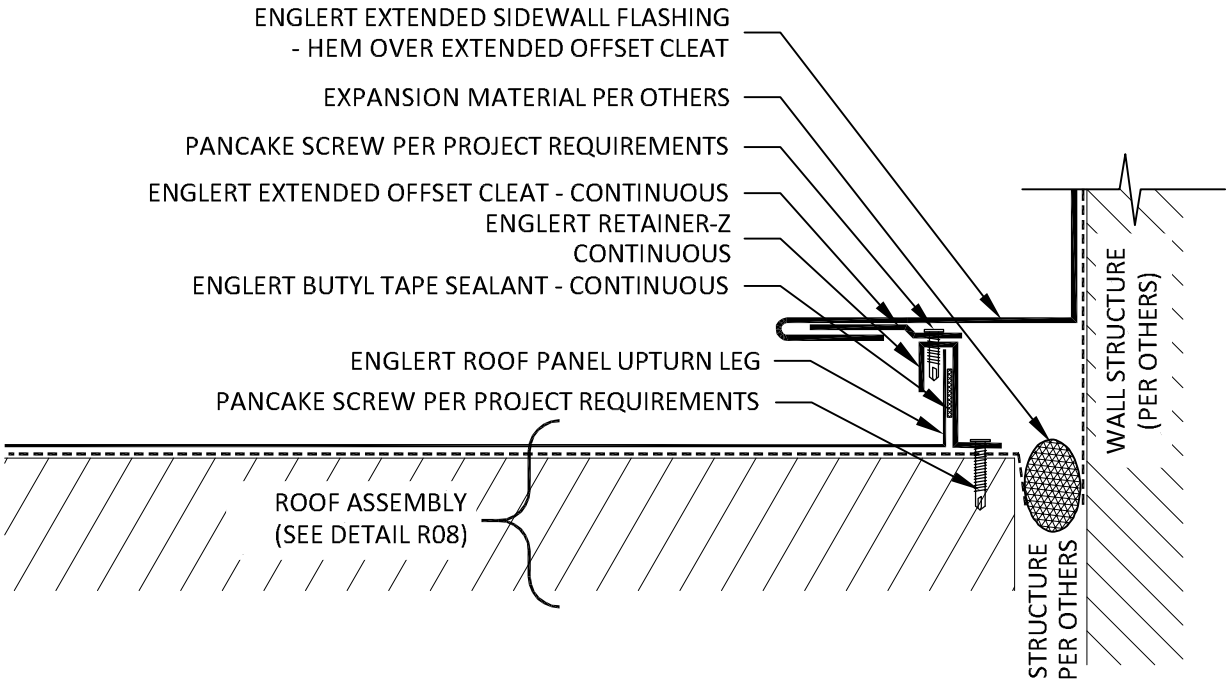


NOTE: LENGTH OF EXTENDED OFFSET CLEAT VARIES. SEE ENGLERT EXPANSION CHART AND PROJECT REQUIREMENTS.



**ENGLERT**  
 www.englertinc.com  
 800-364-5378

GENERIC BEST PRACTICE ASSEMBLY SHOWN. WATERTIGHTNESS WARRANTY NOT IMPLIED. WHEN SITE CONDITION DIFFERS, SPECIFIC ENGINEERING NECESSARY.

**ROOF EXPANSION JOINT**

**SIDEWALL**

DETAIL SUBJECT TO CHANGE WITHOUT NOTICE.

Detail # **R28.3**