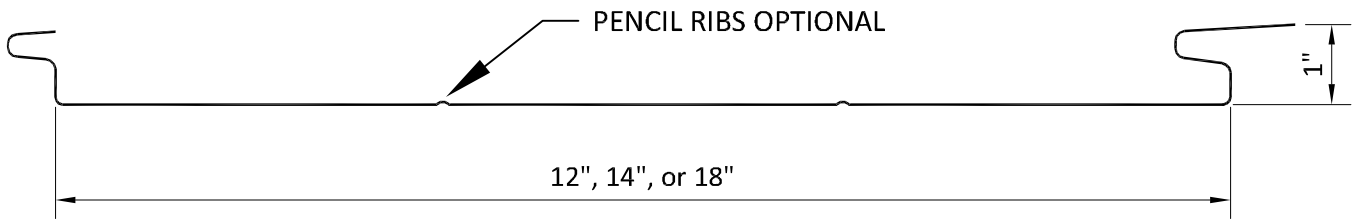


ENGLERT B4000 SOFFIT PANEL

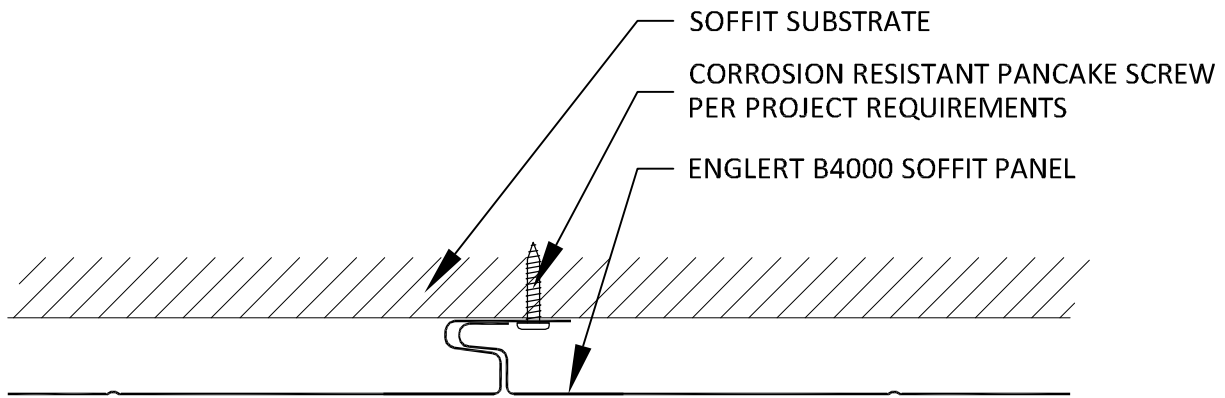
PANEL MATERIAL SHALL BE:
 24 GA GALVALUME
 or .040" or .032" ALUMINIUM

PANEL SEAMS SHALL BE 1" HIGH
 AT 12" or 14" or 18" O.C.

COLOR PER PROJECT SAMPLE.



SOFFIT PANEL PROFILE



SOFFIT ASSEMBLY

 **ENGLERT™**
 www.englertinc.com
 800-364-5378

GENERIC BEST PRACTICE ASSEMBLY
 SHOWN. WATERTIGHTNESS
 WARRANTY NOT IMPLIED.
 WHEN SITE CONDITION DIFFERS,
 SPECIFIC ENGINEERING NECESSARY.

SOFFIT PANEL PROFILE & ASSEMBLY

SERIES B4000

DETAIL SUBJECT TO CHANGE
 WITHOUT NOTICE.

Detail #

S01.40