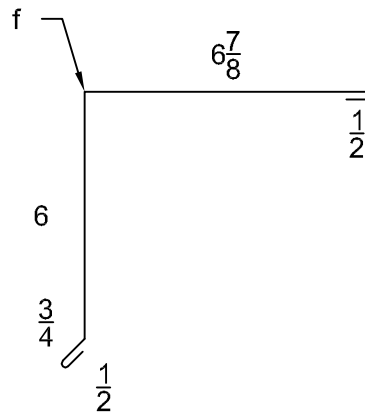


## START GABLE DETAIL



"GR1" GABLE TRIM

**ENGLERT**  
www.englertinc.com  
800-364-5378

2.67" x .5 CORRUGATED STANDARD DETAILS

DETAIL SUBJECT TO CHANGE WITHOUT NOTICE.

GABLE DETAILS

Detail #

W.5.06

GENERIC BEST PRACTICE ASSEMBLY SHOWN. WATERTIGHTNESS WARRANTY NOT IMPLIED. WHEN SITE CONDITION DIFFERS, SPECIFIC ENGINEERING NECESSARY.

Project:  
Date:

Scale: NTS

Location:

By: