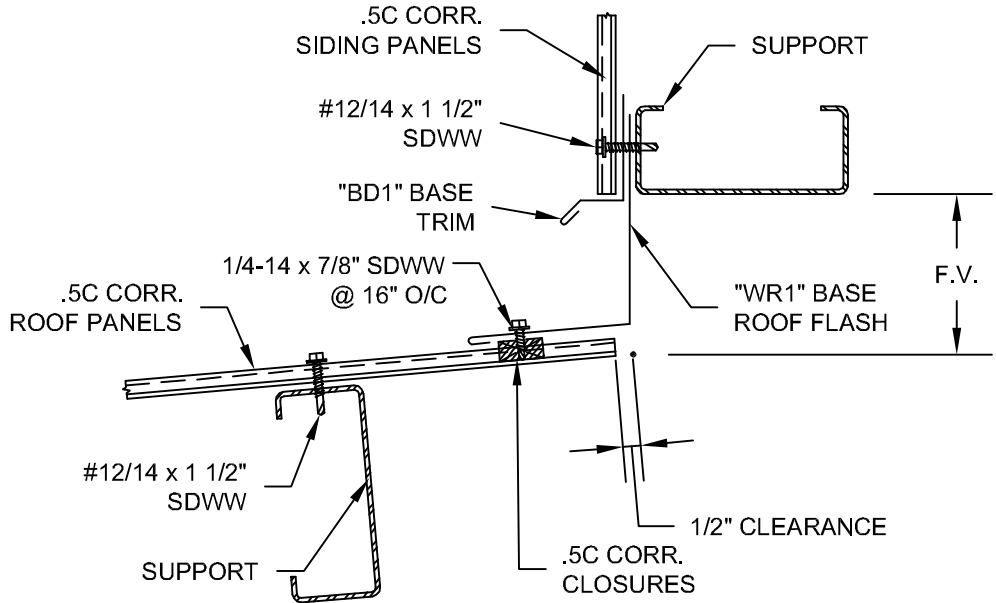
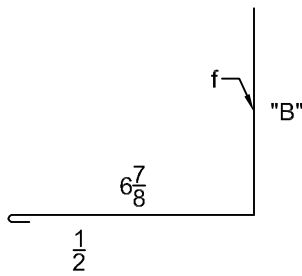


"WR1" BASE ROOF FLASH

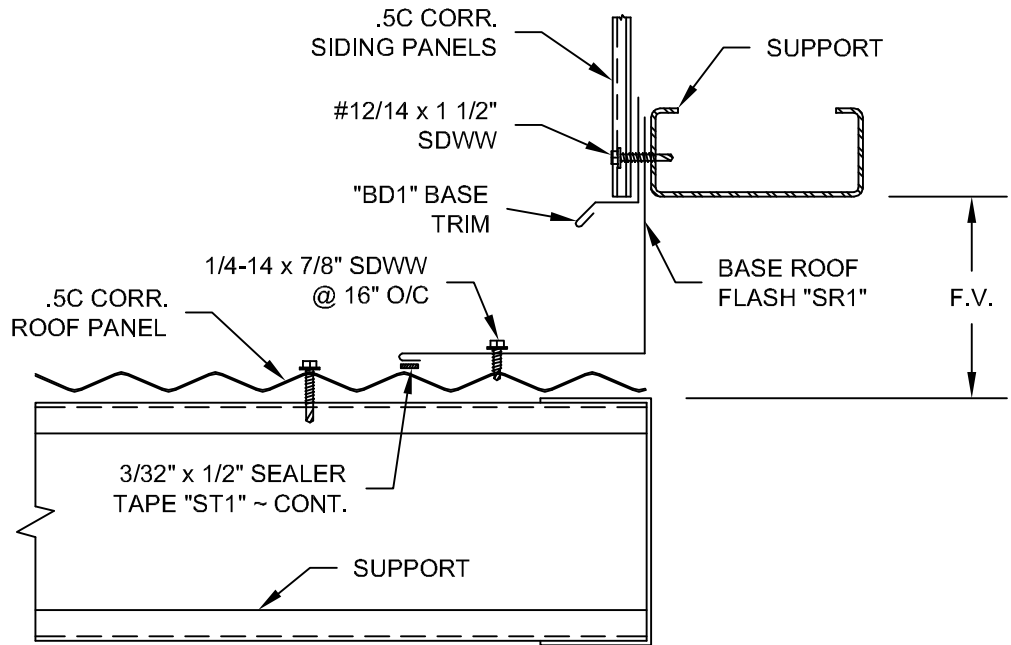
PITCH	"A" ANGLE
1:12	95°
2:12	99°
3:12	104°
4:12	108°
5:12	113°



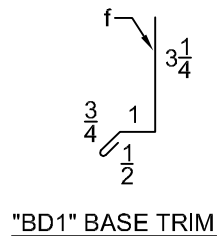
BASE ROOF (HALF RIDGE) DETAIL



"SR1" BASE ROOF FLASH



BASE ROOF DETAIL



"BD1" BASE TRIM

ERECTOR NOTES:

1. ENDS OF BASE ROOF FLASH SHOULD BE CAULKED AND LAPPED 4" AWAY FROM PREVAILING WIND. FLASHING SHOULD BE STITCHED TOGETHER AT ENDS USING TWO 1/4-14 x 7/8" SDWW FASTENERS.
2. "A" & "B" DIMENSIONS VARY DUE TO CONSTRUCTION VARIATIONS.



2.67" x .5 CORRUGATED STANDARD DETAILS

DETAIL SUBJECT TO CHANGE WITHOUT NOTICE.

BASE ROOF DETAILS

Detail #

W.5.08

GENERIC BEST PRACTICE ASSEMBLY SHOWN. WATERTIGHTNESS WARRANTY NOT IMPLIED. WHEN SITE CONDITION DIFFERS, SPECIFIC ENGINEERING NECESSARY.

Project:
Date:

Scale: NTS

Location:

By: