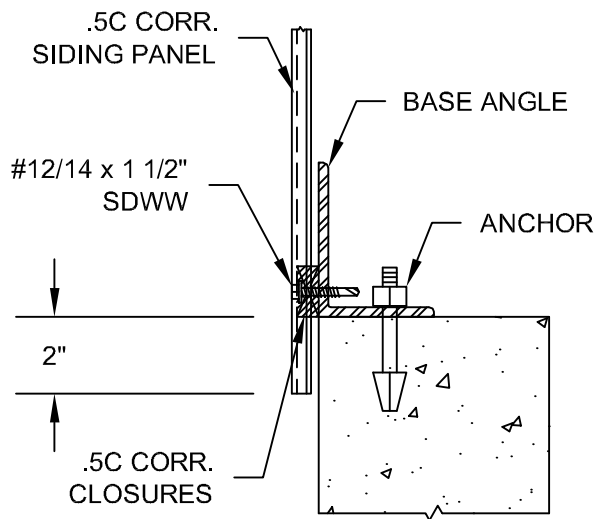
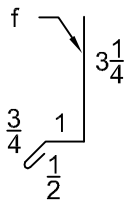


## CURB w/ TRIM



## CURB w/ CLOSURE



"BD1" BASE TRIM

**ENGLERT**  
www.englertinc.com  
800-364-5378

2.67" x .5 CORRUGATED STANDARD DETAILS

DETAIL SUBJECT TO CHANGE  
WITHOUT NOTICE.

BASE DETAILS

Detail #

W.5.09

GENERIC BEST PRACTICE ASSEMBLY  
SHOWN. WATERTIGHTNESS  
WARRANTY NOT IMPLIED.  
WHEN SITE CONDITION DIFFERS,  
SPECIFIC ENGINEERING NECESSARY.

Project:  
Date:

Scale: NTS

Location:

By: