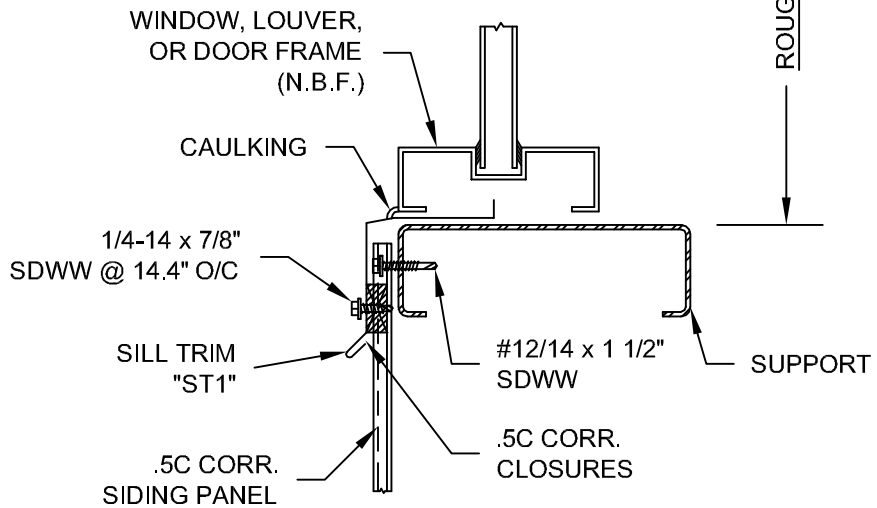
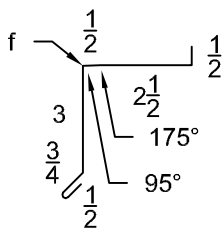
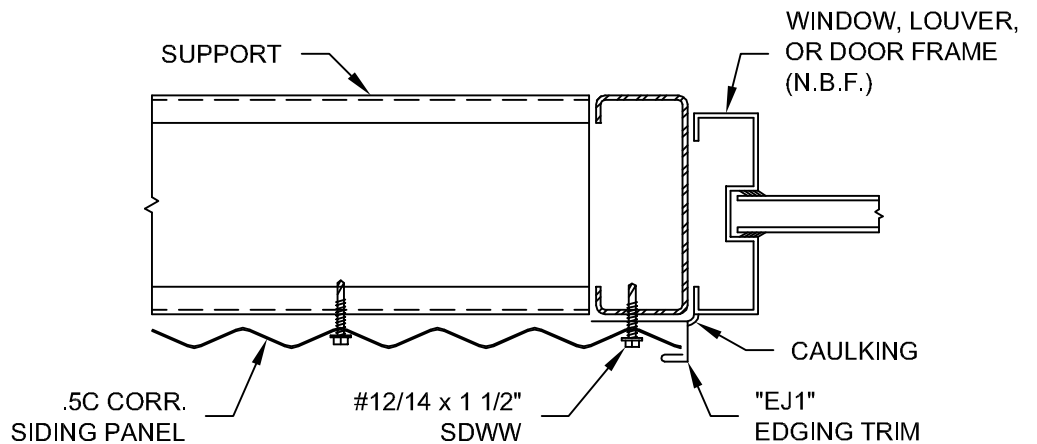
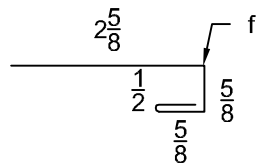


OPENING HEAD

ROUGH OPENING



OPENING SILL



OPENING JAMB

ENGLERT
www.englertinc.com
800-364-5378

2.67" x .5 CORRUGATED STANDARD DETAILS

DETAIL SUBJECT TO CHANGE WITHOUT NOTICE.

OPENING HEAD, SILL, & JAMB DETAILS

Detail #

W.5.10

GENERIC BEST PRACTICE ASSEMBLY SHOWN. WATERTIGHTNESS WARRANTY NOT IMPLIED. WHEN SITE CONDITION DIFFERS, SPECIFIC ENGINEERING NECESSARY.

Project:
Date:

Scale: NTS

Location:

By: