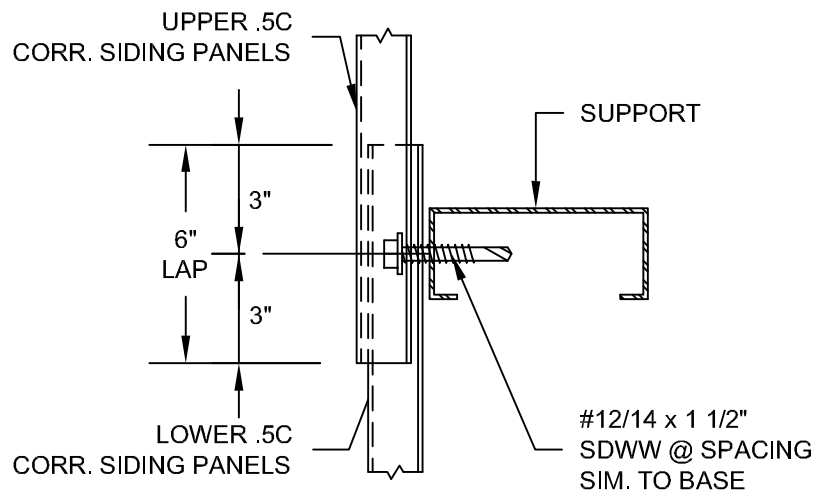


ROOF PANEL END LAP DETAIL



SIDING PANEL END LAP DETAIL

NOTES:

1. TO MAINTAIN CLARITY, THE DETAILS ARE NOT TO SCALE
2. 3/32" x 1/2" SEALER TAPE "ST1" TO BE USED @ END LAPS OF ALL ROOF PANELS REGARDLESS OF ROOF PITCH.
3. ROOF PANEL END LAPS SHOULD BE STAGGERED WHEN POSSIBLE.

ENGLERT
www.englertinc.com
800-364-5378

2.67" x .5 CORRUGATED STANDARD DETAILS

ROOF & SIDING END LAP DETAILS

DETAIL SUBJECT TO CHANGE WITHOUT NOTICE.

Detail #

W.5.12

GENERIC BEST PRACTICE ASSEMBLY SHOWN. WATERTIGHTNESS WARRANTY NOT IMPLIED. WHEN SITE CONDITION DIFFERS, SPECIFIC ENGINEERING NECESSARY.

Project:

Location:

Date:

Scale: NTS

By: