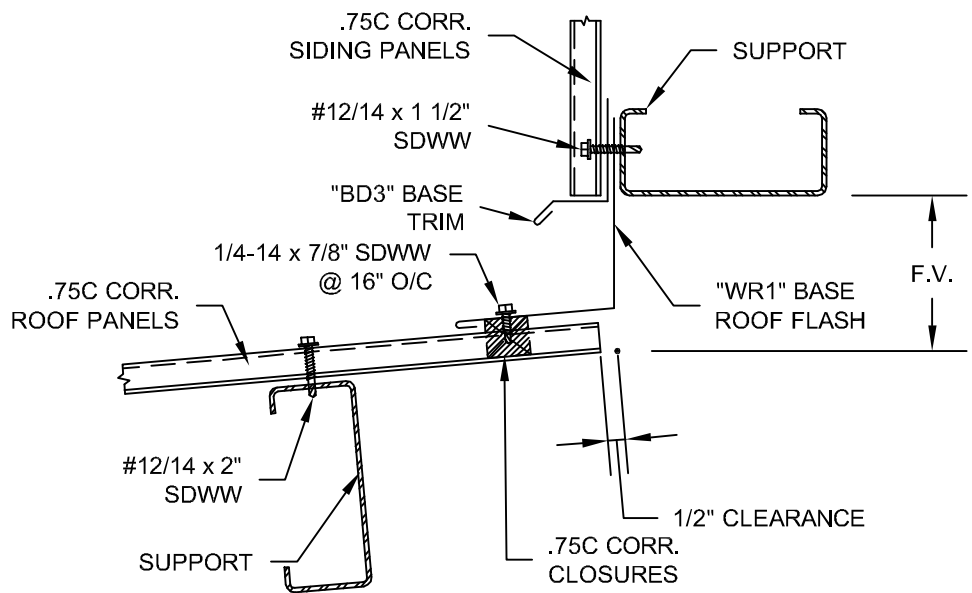
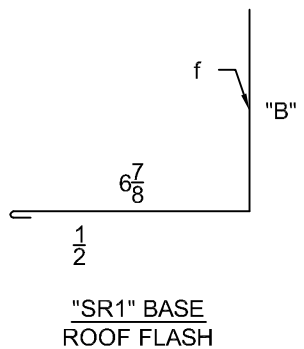


"WR1" BASE ROOF FLASH

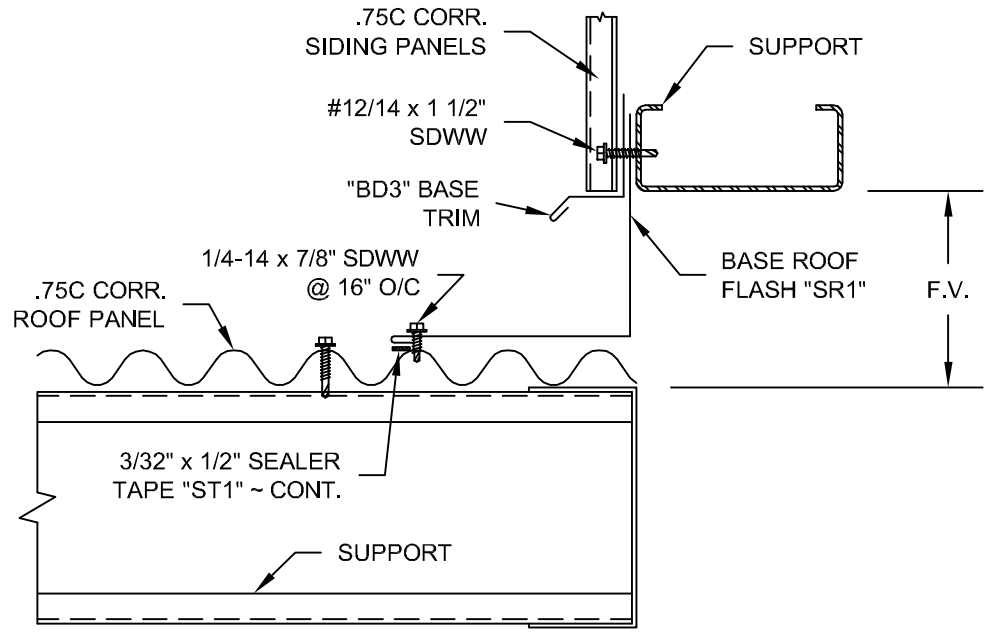
PITCH	"A" ANGLE
1:12	95°
2:12	99°
3:12	104°
4:12	108°
5:12	113°



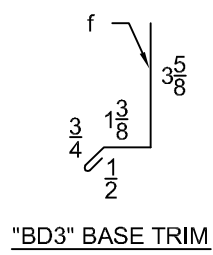
BASE ROOF (HALF RIDGE) DETAIL



"SR1" BASE ROOF FLASH



BASE ROOF DETAIL



"BD3" BASE TRIM

ERECTOR NOTES:

1. ENDS OF BASE ROOF FLASH SHOULD BE CAULKED AND LAPPED 4" AWAY FROM PREVAILING WIND. FLASHING SHOULD BE STITCHED TOGETHER AT ENDS USING TWO 1/4-14 x 7/8" SDWW FASTENERS.
2. "A" & "B" DIMENSIONS VARY DUE TO CONSTRUCTION VARIATIONS.

ENGLERT
www.englertinc.com
800-364-5378

2.67" x .75 CORRUGATED STANDARD DETAILS
BASE ROOF DETAILS

DETAIL SUBJECT TO CHANGE WITHOUT NOTICE.
Detail # **W.75.08**

GENERIC BEST PRACTICE ASSEMBLY SHOWN. WATERTIGHTNESS WARRANTY NOT IMPLIED. WHEN SITE CONDITION DIFFERS, SPECIFIC ENGINEERING NECESSARY.

Project: _____ Location: _____
Date: _____ Scale: NTS _____

By: _____