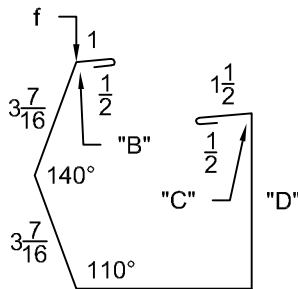
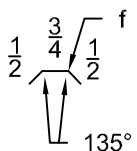


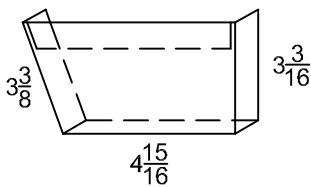
"LE2" EAVE TRIM



"GU1" GUTTER

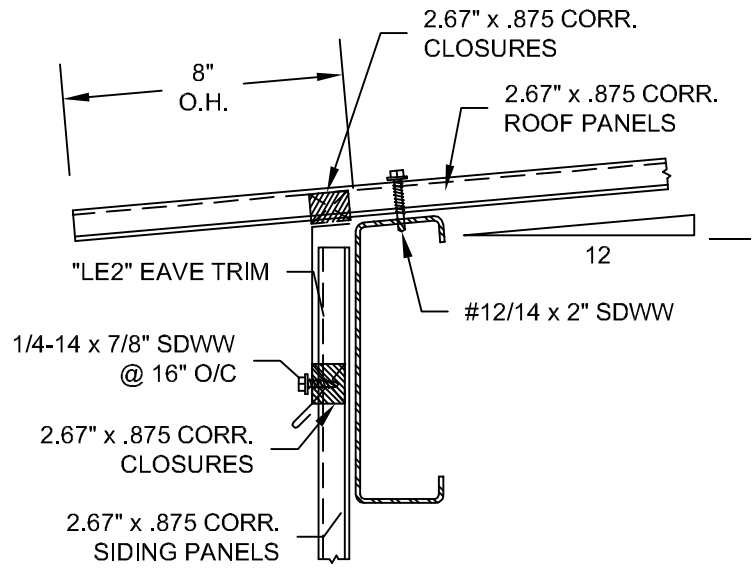
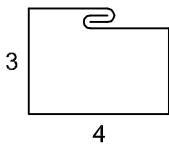


"GB1" GUTTER BARS

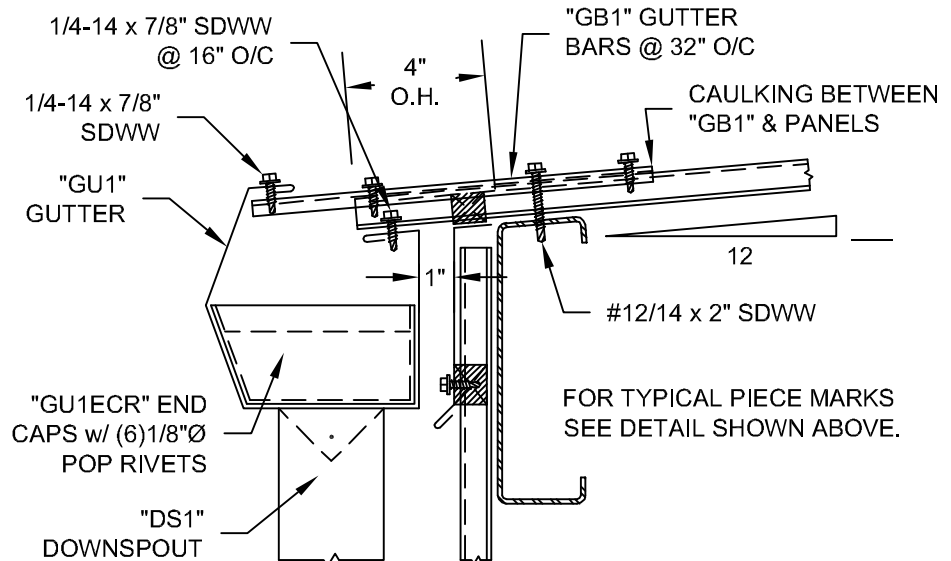


"GU1EC(R&L)" END CAPS

"GU1ECR" ~ AS SHOWN  
"GU1ECL" ~ OPP. HAND



**EAVE w/ TRIM**



**EAVE w/ TRIM & GUTTER**

**NOTES:**

- GUTTER TO BE CAULKED & LAPPED 4" MIN. AND POP RIVETED TOGETHER USING (8) 1/8"Ø POP RIVETS.
- FIELD LOCATE AND MARK DOWNSPOUT LOCATION IN BOTTOM OF GUTTER. DRAW LINE FROM CORNER TO CORNER AND CUT ALONG LINE. BEND TABS DOWN AND POP RIVET INSIDE DOWNSPOUT.
- USE THE CHART TO THE LEFT FOR DIMENSION VALUES FOR YOUR PARTICULAR ROOF PITCH.
- GUTTER SIZE AND GUTTER BAR SPACING MUST BE ADJUSTED TO SUIT LOCAL WEATHER PECULIARITIES AND/OR TO ACCOMMODATE LONG ROOF SLOPES.

PITCH	"A" DIM.	"B" DIM.	"C" DIM.	"D" DIM.
1:12	95°	115°	85°	5 15/16
2:12	100°	120°	80°	6 3/8
3:12	104°	124°	76°	6 3/4
4:12	109°	129°	71°	7 1/8
5:12	113°	133°	67°	7 1/2

**ENGLERT**  
www.englertinc.com  
800-364-5378

2.67" x .875 CORRUGATED STANDARD DETAILS

DETAIL SUBJECT TO CHANGE WITHOUT NOTICE.

**EAVE DETAILS**

Detail #  
**W.875.05**

GENERIC BEST PRACTICE ASSEMBLY SHOWN. WATERTIGHTNESS WARRANTY NOT IMPLIED. WHEN SITE CONDITION DIFFERS, SPECIFIC ENGINEERING NECESSARY.

Project:  
Date:

Scale: NTS

Location:

By: