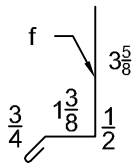
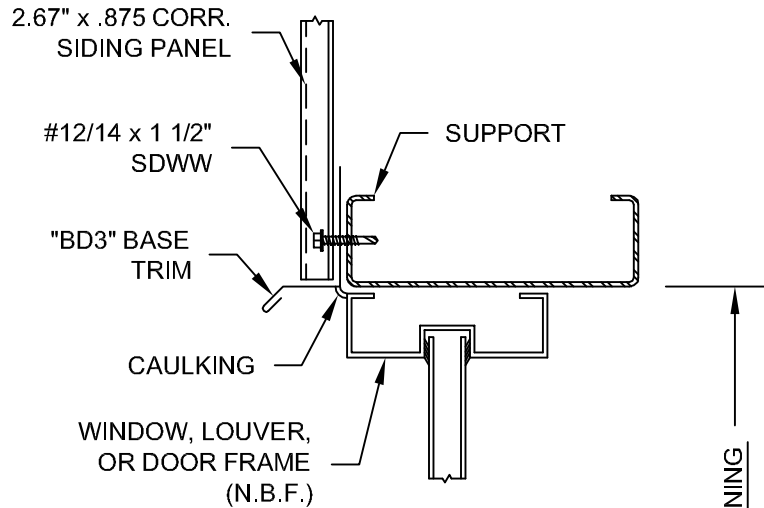


"BD3" BASE TRIM

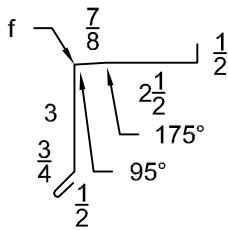


OPENING HEAD

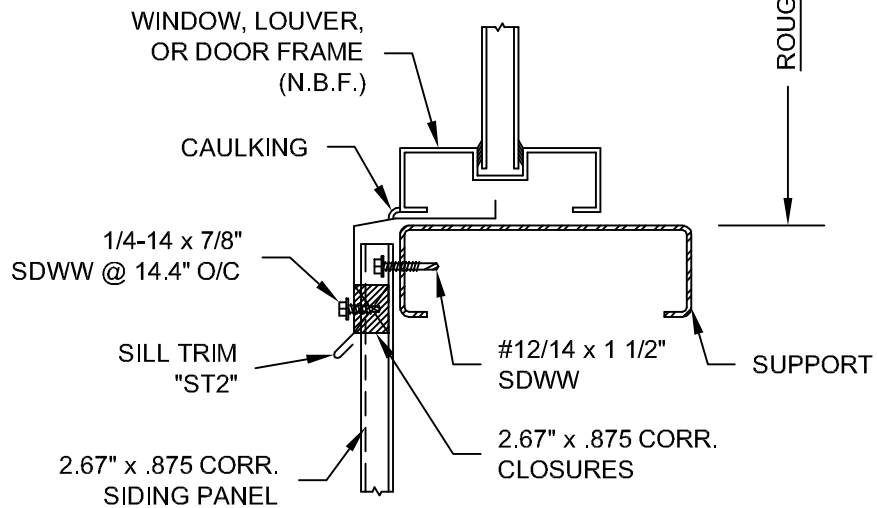


ROUGH OPENING

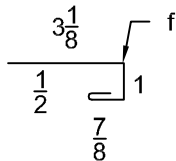
"ST2" SILL TRIM



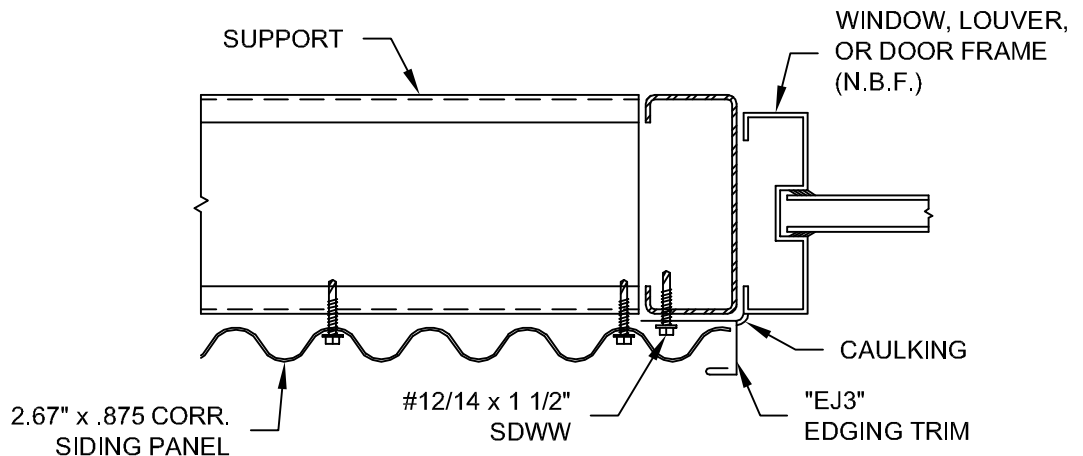
OPENING SILL



"EJ3" EDGING TRIM



OPENING JAMB



ENGLERT
www.englertinc.com
800-364-5378

2.67" x .875 CORRUGATED STANDARD DETAILS

DETAIL SUBJECT TO CHANGE WITHOUT NOTICE.

OPENING HEAD, SILL, & JAMB DETAILS

Detail #

W.875.10

GENERIC BEST PRACTICE ASSEMBLY SHOWN. WATERTIGHTNESS WARRANTY NOT IMPLIED. WHEN SITE CONDITION DIFFERS, SPECIFIC ENGINEERING NECESSARY.

Project:
Date:

Scale: NTS

Location:

By: