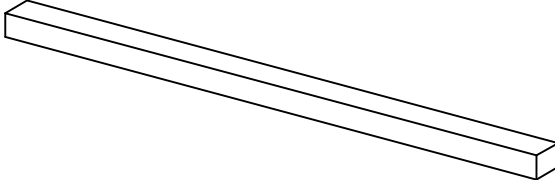
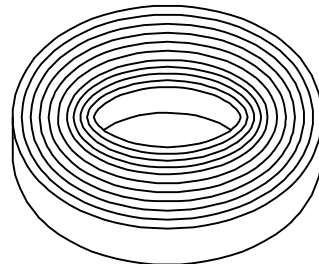
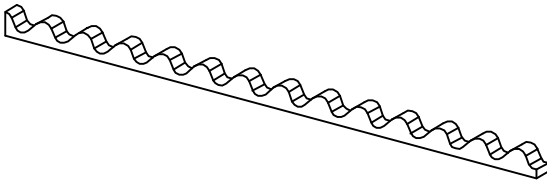
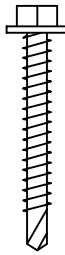

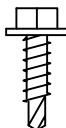


2.67" x .875 CORR. STANDARD ACCESSORIES

 REQ'D: _____ LIN. FT. (25' ROLLS)	 REQ'D: _____ ROLLS @ 50'-0" LG.
<u>1" x 1" UNIVERSAL CLOSURE</u>	
 REQ'D: _____ PCS. @ 3'-0" LG.	REQ'D: _____ ROLLS @ 50'-0" LG.
<u>2.67" x .875 CORR. CLOSURES</u>	<u>3/32" x 1/2" SEALER TAPE "ST1"</u>
<u>ROOF SHEETING SCREWS</u>  #12/14 x 2" SDWW REQ'D: _____ PCS.	<u>SIDING SHEETING SCREWS</u>  #12/14 x 1 1/2" SDWW REQ'D: _____ PCS.
	<u>LAP & TRIM SCREWS</u>  1/4-14 x 7/8" SDWW REQ'D: _____ PCS.
<u>STANDARD FASTENERS</u>	<u>STANDARD FASTENERS</u>

NOTES:

1. 2.67" x .875 CORRUGATED CLOSURES ARE A CLOSED CELL POLYETHYLENE FACTORY FORMED TO THE PANEL PROFILE AS SHOWN ABOVE.
2. SEALER TAPE IS A NON-DRYING, NON-SKINNING, BUTYL BASE TAPE SUPPLIED IN 3/32" THICK x 1/2" WIDE x 50' ROLLS.
3. FASTENERS ARE ZINC PLATED CARBON STEEL, 5/16" HEX HEAD, SELF DRILLING & SELF TAPPING METAL SCREWS. FASTENERS CAN BE SUPPLIED WITH PAINTED HEADS TO MATCH ROOFING OR SIDING.
4. CONTACT FACTORY FOR PRICE AND AVAILABILITY OF NON-STANDARD ACCESSORIES.

 **ENGLERT™**
 www.englertinc.com
 800-364-5378

2.67" x .875 CORRUGATED STANDARD DETAILS

STANDARD ACCESSORIES

DETAIL SUBJECT TO CHANGE
WITHOUT NOTICE.

Detail #

W.875.17

GENERIC BEST PRACTICE ASSEMBLY SHOWN. WATERTIGHTNESS WARRANTY NOT IMPLIED. WHEN SITE CONDITION DIFFERS, SPECIFIC ENGINEERING NECESSARY.

Project:
Date:

Scale: NTS

Location:

By: