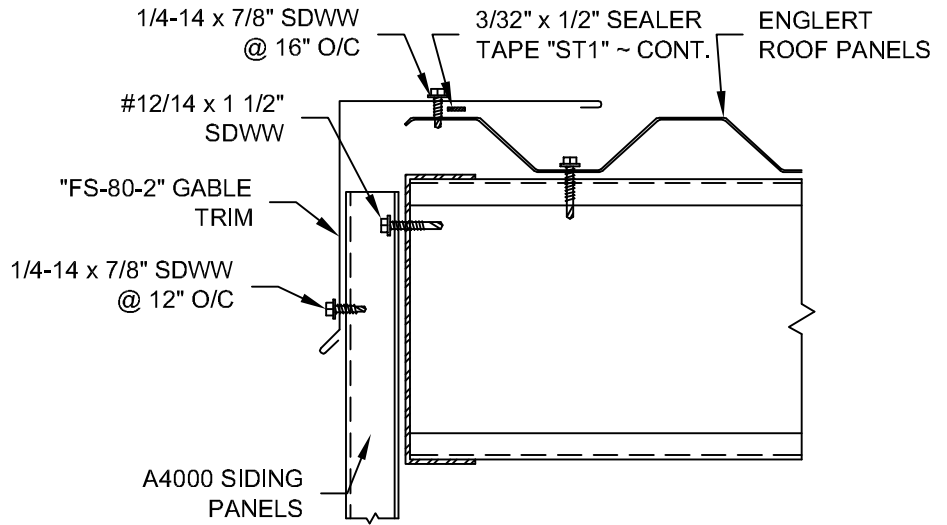


"FS-80-2" GABLE TRIM



GABLE DETAIL



www.englertinc.com
800-364-5378

GENERIC BEST PRACTICE ASSEMBLY SHOWN. WATERTIGHTNESS WARRANTY NOT IMPLIED. WHEN SITE CONDITION DIFFERS, SPECIFIC ENGINEERING NECESSARY.

A4000 CONCEALED FASTENER STANDARD DETAILS

GABLE DETAILS

DETAIL SUBJECT TO CHANGE WITHOUT NOTICE.

Detail #

W.A4.05

Project:

Location:

Date:

Scale: NTS

By: