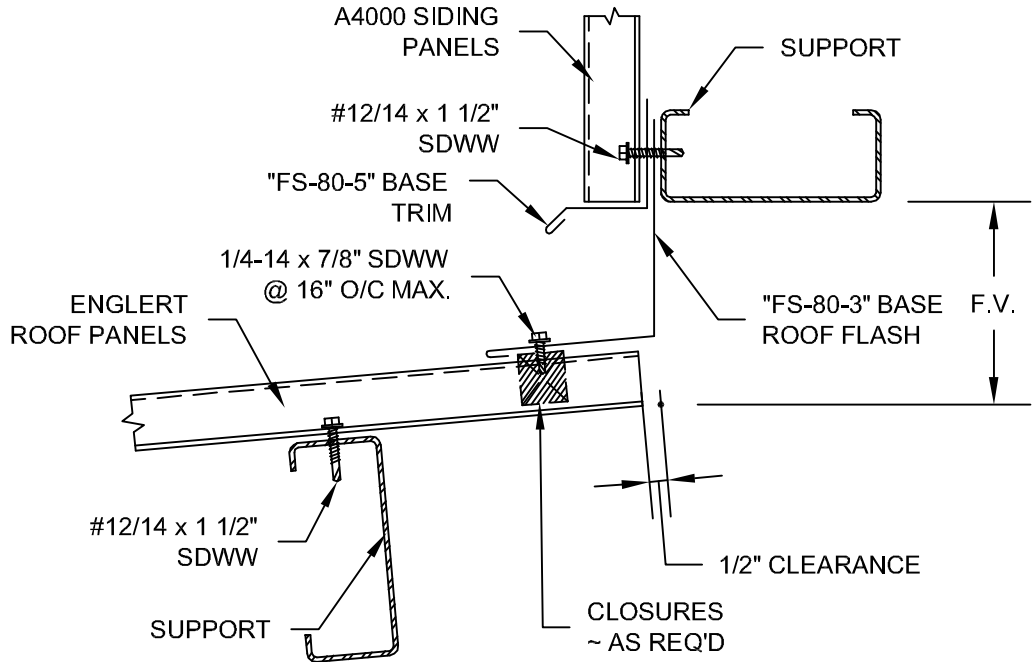
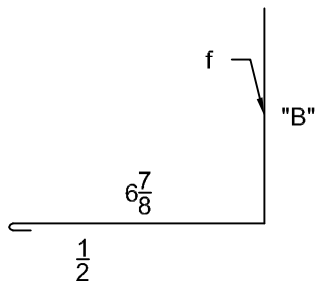


"FS-80-3" BASE ROOF FLASH

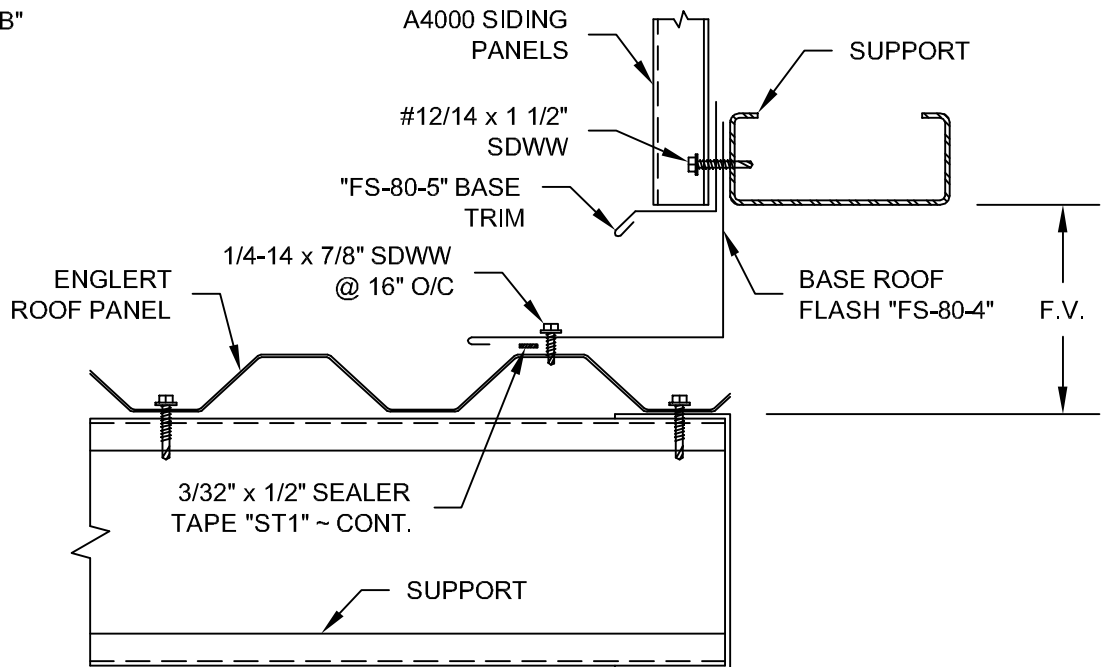
PITCH	"A" ANGLE
1:12	95°
2:12	99°
3:12	104°
4:12	108°
5:12	113°



BASE ROOF (HALF RIDGE) DETAIL



"FS-80-4" BASE ROOF FLASH



BASE ROOF DETAIL

ERECTOR NOTES:

1. ENDS OF BASE ROOF FLASH SHOULD BE CAULKED AND LAPPED 4" AWAY FROM PREVAILING WIND. FLASHING SHOULD BE STITCHED TOGETHER AT ENDS USING TWO 1/4-14 x 7/8" SDWW FASTENERS.
2. "A" & "B" DIMENSIONS VARY DUE TO CONSTRUCTION VARIATIONS.



www.englertinc.com
800-364-5378

GENERIC BEST PRACTICE ASSEMBLY SHOWN. WATER TIGHTNESS WARRANTY NOT IMPLIED. WHEN SITE CONDITION DIFFERS, SPECIFIC ENGINEERING NECESSARY.

A4000 CONCEALED FASTENER STANDARD DETAILS

BASE ROOF DETAILS

DETAIL SUBJECT TO CHANGE WITHOUT NOTICE.

Detail #

W.A4.06

Project:

Location:

Date:

Scale: NTS

By: