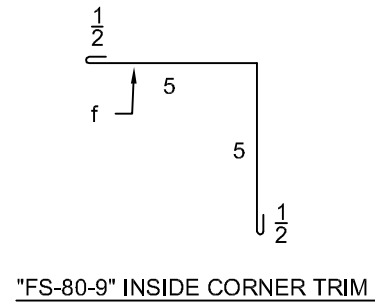


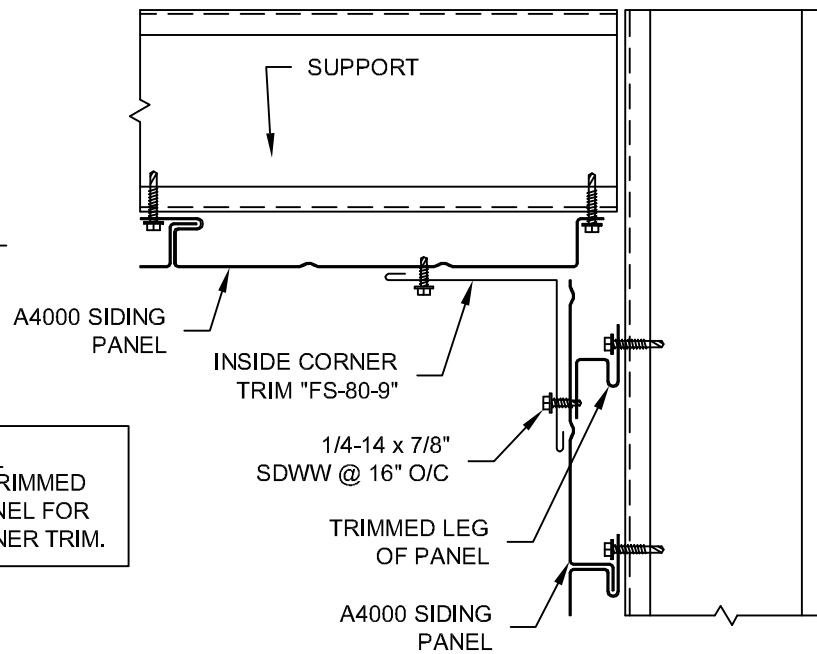
"FS-80-8" OUTSIDE CORNER TRIM

OUTSIDE CORNER DETAIL



"FS-80-9" INSIDE CORNER TRIM

ERECTOR NOTES:
 1. AT END OF RUN, USE TRIMMED LEG OF "FE-12" SIDING PANEL FOR SUPPORT TO ATTACH CORNER TRIM.



INSIDE CORNER DETAIL



www.englertinc.com
 800-364-5378

GENERIC BEST PRACTICE ASSEMBLY SHOWN. WATERTIGHTNESS WARRANTY NOT IMPLIED. WHEN SITE CONDITION DIFFERS, SPECIFIC ENGINEERING NECESSARY.

A4000 CONCEALED FASTENER STANDARD DETAILS

OUTSIDE & INSIDE CORNER DETAILS

DETAIL SUBJECT TO CHANGE WITHOUT NOTICE.

Detail #

W.A4.09

Project:

Location:

Date:

Scale: NTS

By: