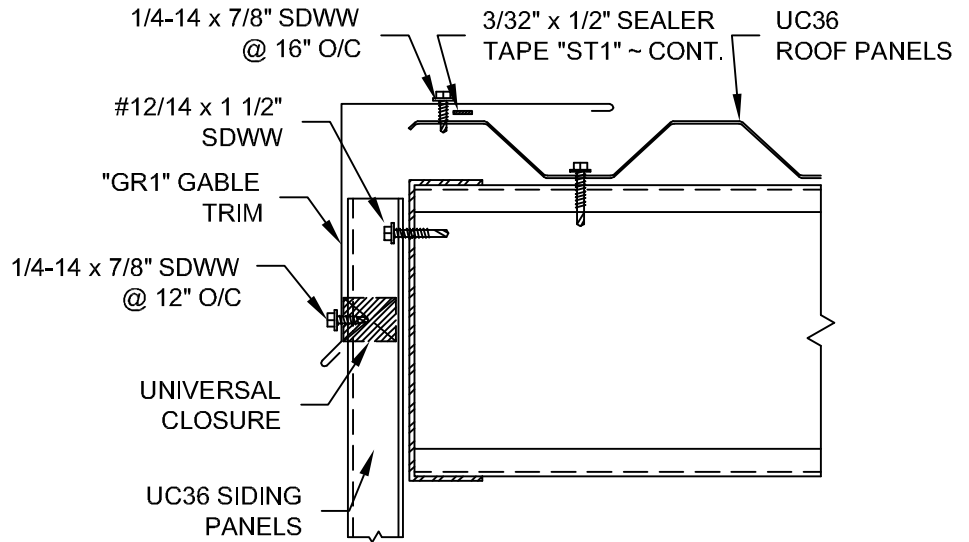
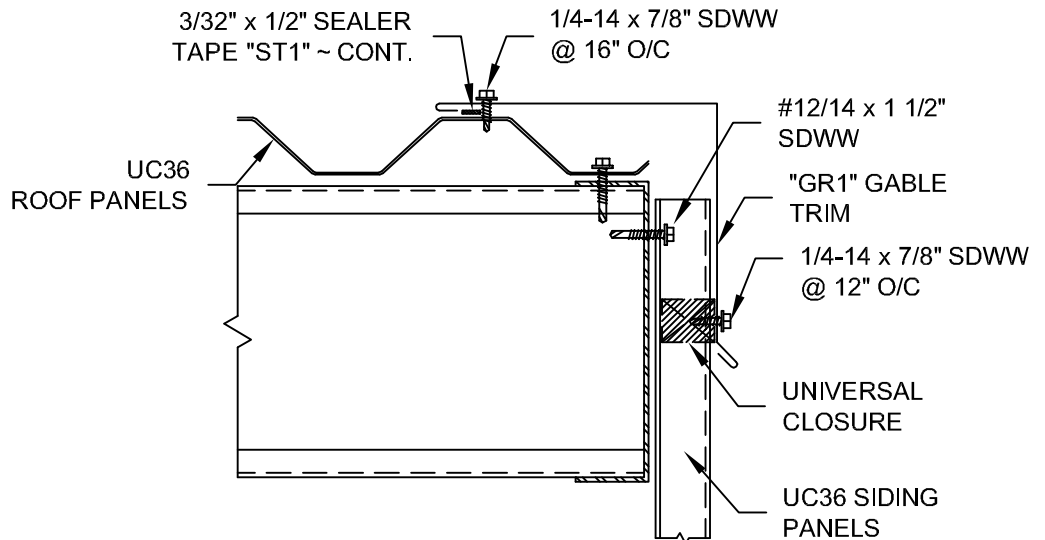


"GR1" GABLE TRIM



START GABLE DETAIL



FINISH GABLE DETAIL

ENGLERT
 www.englertinc.com
 800-364-5378

GENERIC BEST PRACTICE ASSEMBLY SHOWN. WATERTIGHTNESS WARRANTY NOT IMPLIED. WHEN SITE CONDITION DIFFERS, SPECIFIC ENGINEERING NECESSARY.

UNIRIB C36 STANDARD DETAILS	
GABLE DETAILS	
Project:	Location:
Date:	Scale: NTS

DETAIL SUBJECT TO CHANGE WITHOUT NOTICE.
Detail #
W.C36.06
By:

FEB 2012 © ENGLERT, INC.