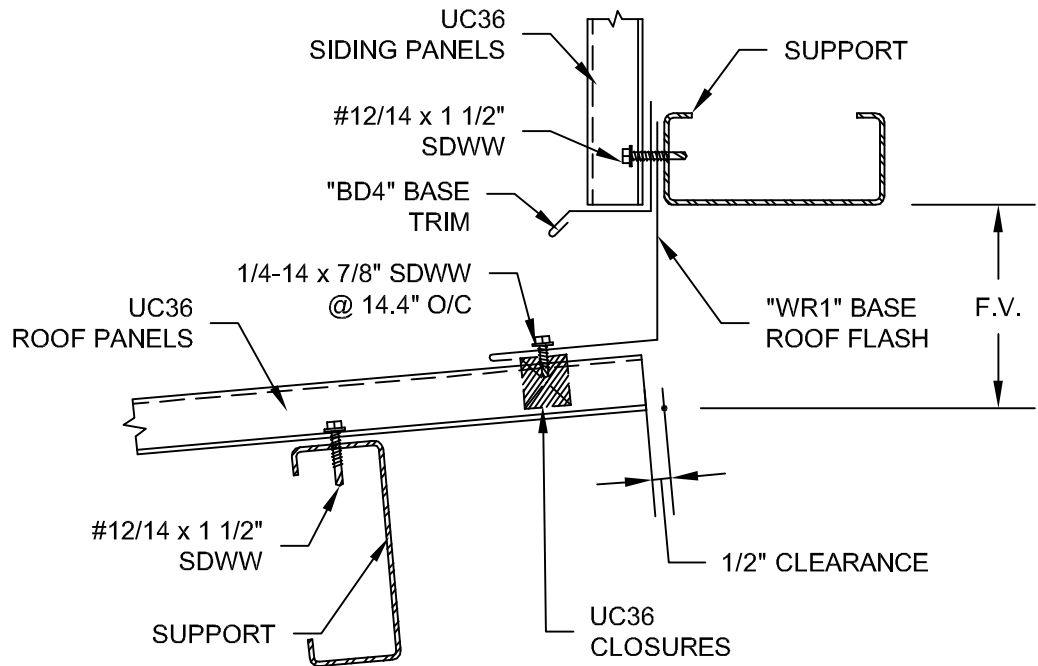
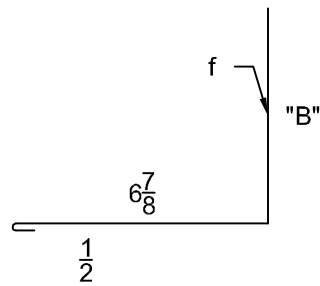


**"WR1" BASE ROOF FLASH**

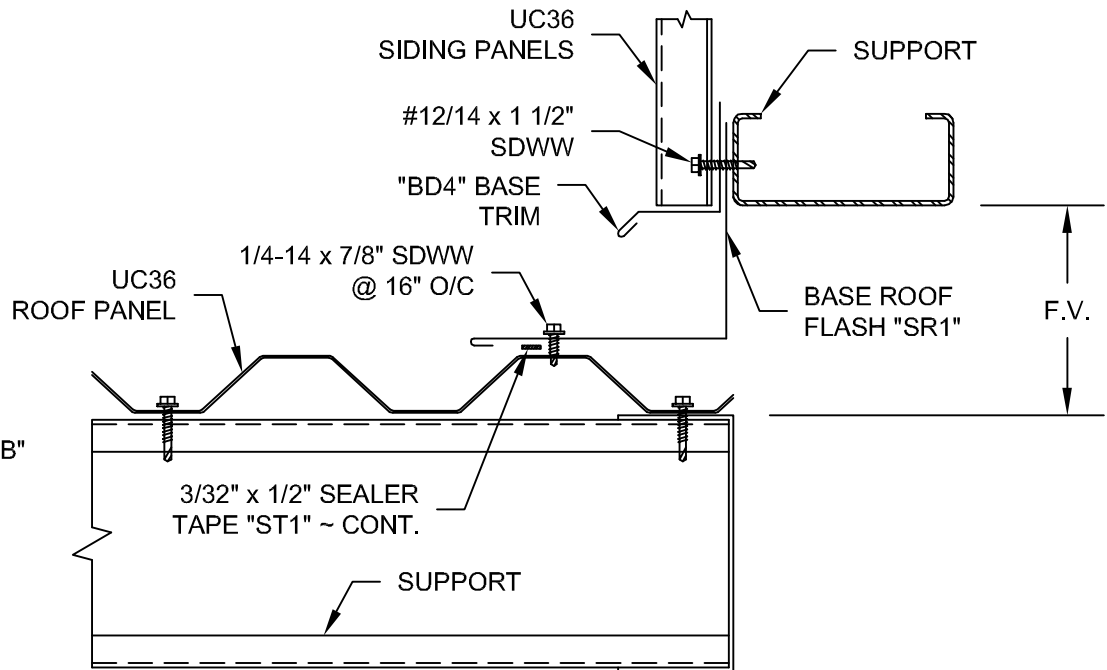
PITCH	"A" ANGLE
1:12	95°
2:12	99°
3:12	104°
4:12	108°
5:12	113°



**BASE ROOF (HALF RIDGE) DETAIL**



**"SR1" BASE ROOF FLASH**



**BASE ROOF DETAIL**

**ERECTOR NOTES:**

1. ENDS OF BASE ROOF FLASH SHOULD BE CAULKED AND LAPPED 4" AWAY FROM PREVAILING WIND. FLASHING SHOULD BE STITCHED TOGETHER AT ENDS USING TWO 1/4-14 x 7/8" SDWW FASTENERS.
2. "A" & "B" DIMENSIONS VARY DUE TO CONSTRUCTION VARIATIONS.



www.englertinc.com  
800-364-5378

GENERIC BEST PRACTICE ASSEMBLY SHOWN. WATERTIGHTNESS WARRANTY NOT IMPLIED. WHEN SITE CONDITION DIFFERS, SPECIFIC ENGINEERING NECESSARY.

**UNIRIB C36 STANDARD DETAILS**

**BASE ROOF DETAILS**

DETAIL SUBJECT TO CHANGE WITHOUT NOTICE.

Detail #

**W.C36.08**

Project:

Date:

Location:

Scale: NTS

By: