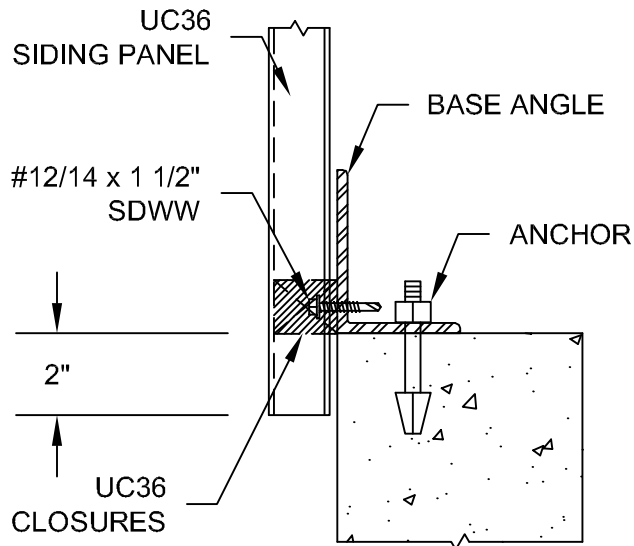
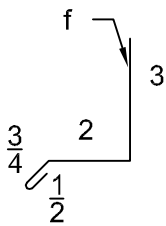


CURB w/ TRIM



CURB w/ CLOSURE



"BD4" BASE TRIM



www.englertinc.com
800-364-5378

GENERIC BEST PRACTICE ASSEMBLY
SHOWN. WATERTIGHTNESS
WARRANTY NOT IMPLIED.
WHEN SITE CONDITION DIFFERS,
SPECIFIC ENGINEERING NECESSARY.

UNIRIB C36 STANDARD DETAILS

BASE DETAILS

DETAIL SUBJECT TO CHANGE
WITHOUT NOTICE.

Detail #

W.C36.09

Project:

Date:

Scale: NTS

Location:

By: