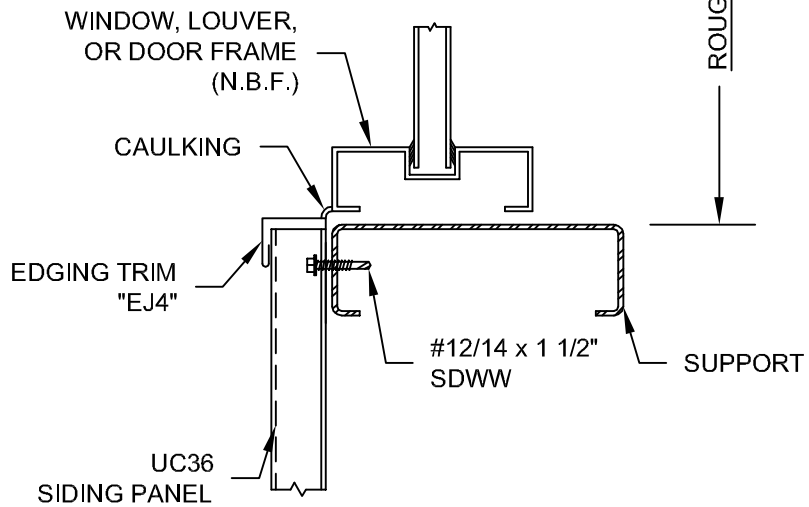
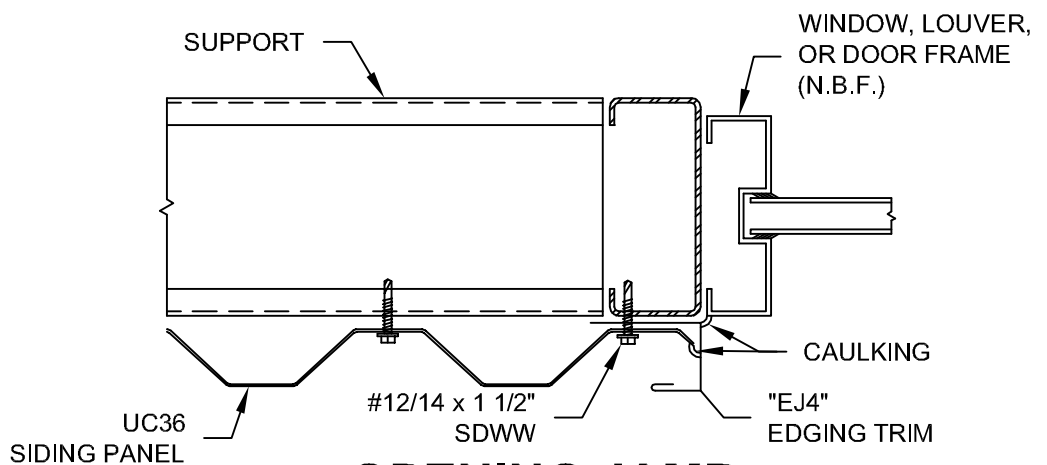


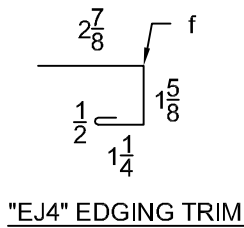
OPENING HEAD



OPENING SILL



OPENING JAMB



ENGLERT
 www.englertinc.com
 800-364-5378

GENERIC BEST PRACTICE ASSEMBLY SHOWN. WATERTIGHTNESS WARRANTY NOT IMPLIED. WHEN SITE CONDITION DIFFERS, SPECIFIC ENGINEERING NECESSARY.

UNIRIB C36 STANDARD DETAILS

OPENING HEAD, SILL, & JAMB DETAILS

Project: _____ Location: _____
 Date: _____ Scale: NTS

DETAIL SUBJECT TO CHANGE WITHOUT NOTICE.

Detail # **W.C36.10.1**

By: _____

FEB 2012 © ENGLERT, INC.