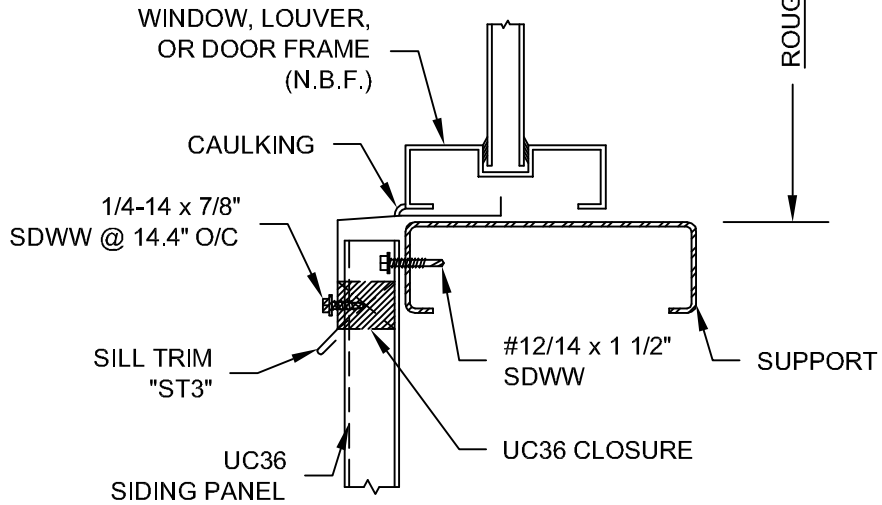
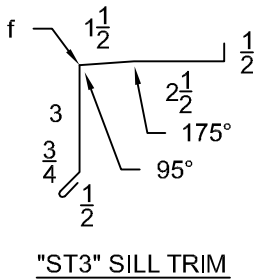
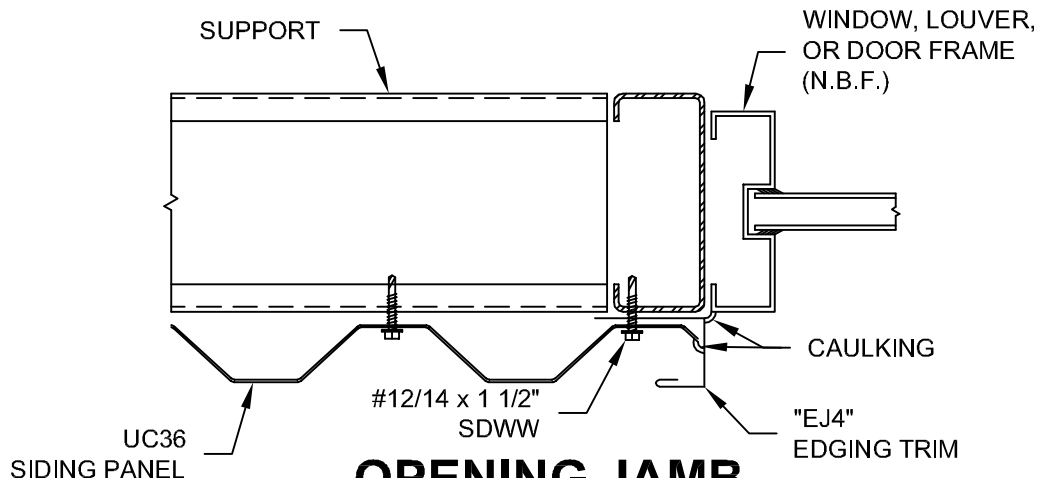
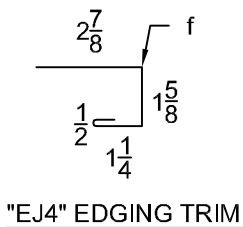


**OPENING HEAD**



**OPENING SILL**



**OPENING JAMB**

**ENGLERT**  
www.englertinc.com  
800-364-5378  
GENERIC BEST PRACTICE ASSEMBLY SHOWN. WATERTIGHTNESS WARRANTY NOT IMPLIED. WHEN SITE CONDITION DIFFERS, SPECIFIC ENGINEERING NECESSARY.

**UNIRIB C36 STANDARD DETAILS**  
**OPENING HEAD, SILL, & JAMB DETAILS**  
Project: \_\_\_\_\_ Location: \_\_\_\_\_  
Date: \_\_\_\_\_ Scale: NTS

DETAIL SUBJECT TO CHANGE WITHOUT NOTICE.  
Detail # **W.C36.10**  
By: \_\_\_\_\_