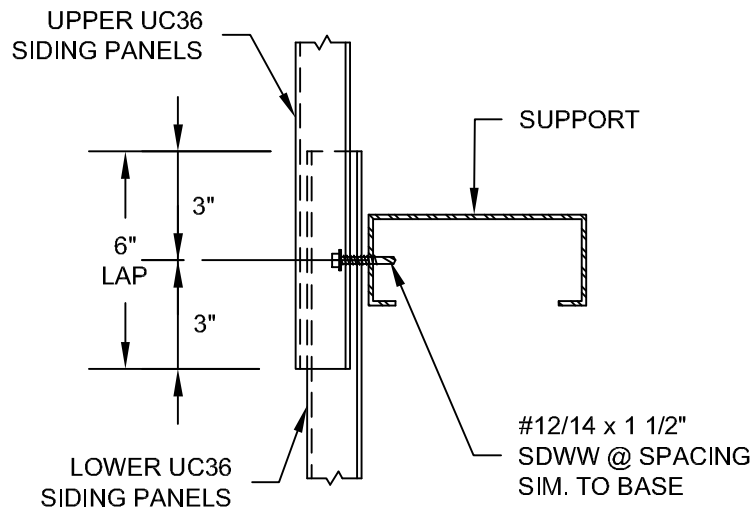


ROOF PANEL END LAP DETAIL



SIDING PANEL END LAP DETAIL

NOTES:

1. 3/32" x 1/2" SEALER TAPE "ST1" TO BE USED @ END LAPS OF ALL ROOF PANELS REGARDLESS OF ROOF PITCH.
2. ROOF PANEL END LAPS SHOULD BE STAGGERED WHEN POSSIBLE.



www.englertinc.com
800-364-5378

GENERIC BEST PRACTICE ASSEMBLY SHOWN. WATERTIGHTNESS WARRANTY NOT IMPLIED. WHEN SITE CONDITION DIFFERS, SPECIFIC ENGINEERING NECESSARY.

UNIRIB C36 STANDARD DETAILS

ROOF & SIDING END LAP DETAILS

DETAIL SUBJECT TO CHANGE WITHOUT NOTICE.

Detail #

W.C36.12

Project:

Date:

Location:

Scale: NTS

By: