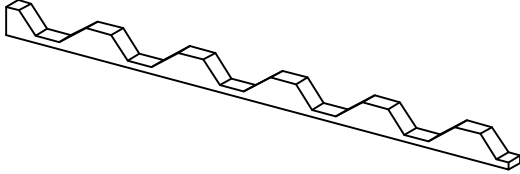
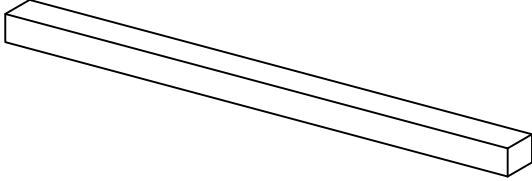
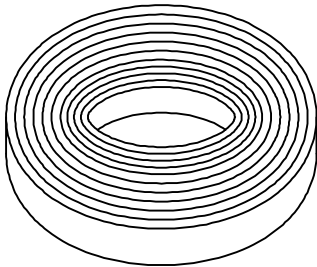




"UNIRIB C36 " STANDARD ACCESSORIES

 <p>REQ'D: _____ PCS. @ 3'-3" LG.</p>	 <p>REQ'D: _____ LIN. FT. (25' ROLL)</p>
<u>UNIRIB CLOSURES</u>	<u>2" x 2" UNIVERSAL CLOSURE</u>
 <p>REQ'D: _____ ROLLS @ 50'-0" LG.</p>	<p><u>SHEETING SCREWS</u></p>  <p>#12/14 x 1 1/2" SDWW REQ'D: _____ PCS.</p> <p><u>LAP & TRIM SCREWS</u></p>  <p>1/4-14 x 7/8" SDWW REQ'D: _____ PCS.</p>
<u>3/32" x 1/2" SEALER TAPE "ST1"</u>	<u>STANDARD FASTENERS</u>

NOTES:

1. UNIRIB CLOSURES ARE A CLOSED CELL POLYETHYLENE FACTORY FORMED TO THE PANEL PROFILE AS SHOWN ABOVE.
2. SEALER TAPE IS A NON-DRYING, NON-SKINNING, BUTYL BASE TAPE SUPPLIED IN 3/32" THICK x 1/2" WIDE x 50' ROLLS.
3. FASTENERS ARE ZINC PLATED CARBON STEEL, 5/16" HEX HEAD, SELF DRILLING & SELF TAPPING METAL SCREWS. FASTENERS CAN BE SUPPLIED WITH PAINTED HEADS TO MATCH ROOFING OR SIDING.
4. CONTACT FACTORY FOR PRICE AND AVAILABILITY OF NON-STANDARD ACCESSORIES.

 **ENGLERT™**
 www.englertinc.com
 800-364-5378

GENERIC BEST PRACTICE ASSEMBLY SHOWN. WATERTIGHTNESS WARRANTY NOT IMPLIED. WHEN SITE CONDITION DIFFERS, SPECIFIC ENGINEERING NECESSARY.

UNIRIB C36 STANDARD DETAILS

STANDARD ACCESSORIES

Project: _____ Location: _____
 Date: _____ Scale: NTS

DETAIL SUBJECT TO CHANGE WITHOUT NOTICE.

Detail #
W.C36.17

By: _____