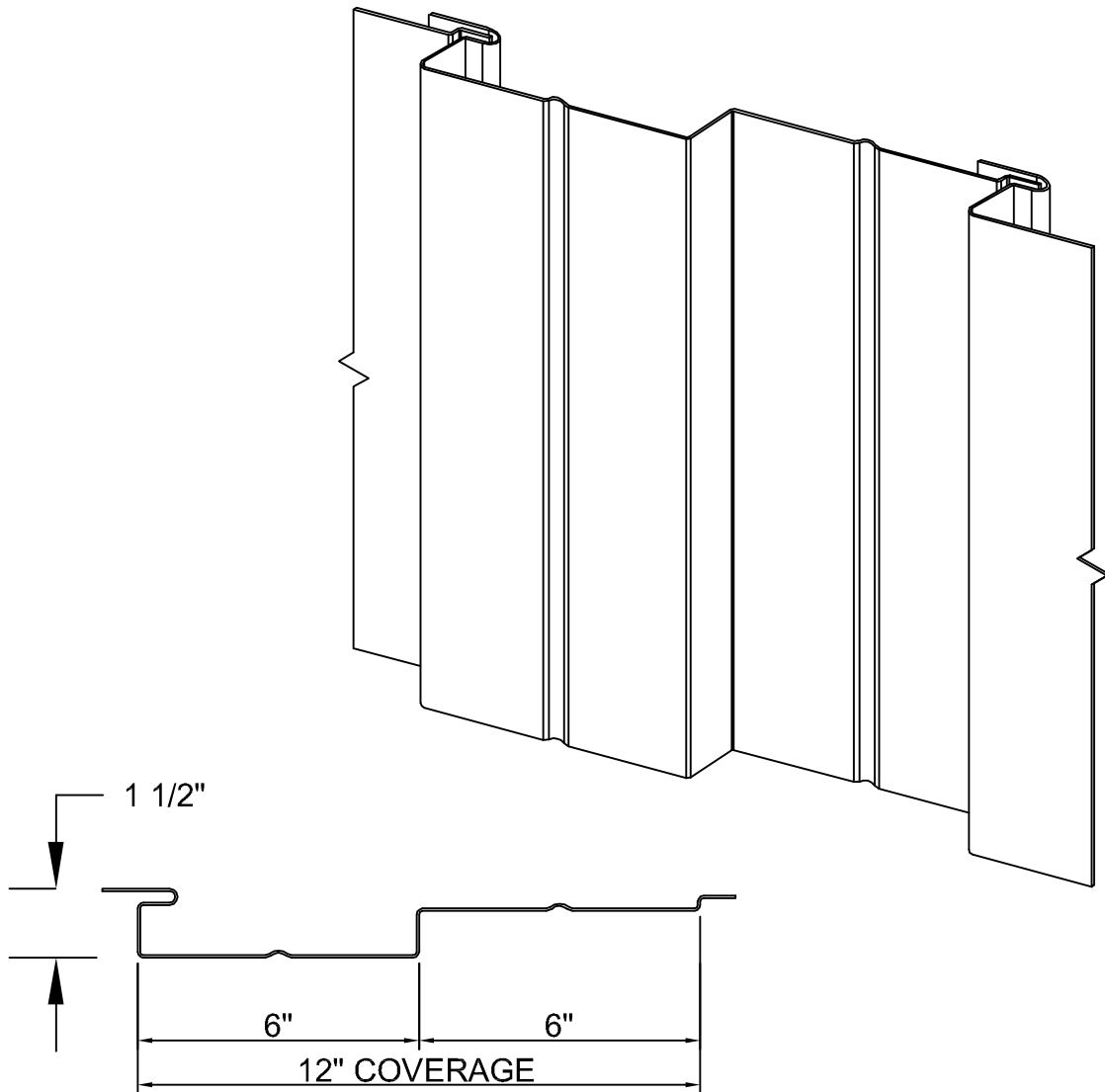



"E-6/6" CONCEALED FASTENER PANEL STANDARD DETAILS



ENGLERT RESERVES THE RIGHT TO REVISE, ADD, OR DELETE ANY DETAIL OR INFORMATION HEREIN WITHOUT PRIOR NOTICE.

 ENGLERT™ www.englertinc.com 800-364-5378 <small>GENERIC BEST PRACTICE ASSEMBLY SHOWN. WATERTIGHTNESS WARRANTY NOT IMPLIED. WHEN SITE CONDITION DIFFERS, SPECIFIC ENGINEERING NECESSARY.</small>	E-6/6 STANDARD DETAILS		<small>DETAIL SUBJECT TO CHANGE WITHOUT NOTICE.</small>
	COVER		Detail # W.E66.00
Project:	Date:	Scale: NTS	Location: By:

FEB 2012 © ENGLERT, INC.