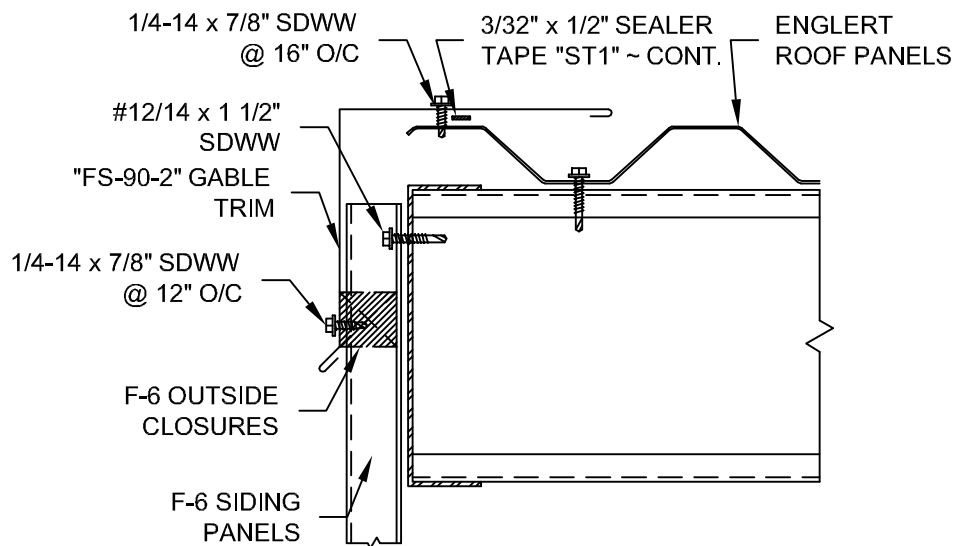


"FS-90-2" GABLE TRIM



## GABLE DETAIL



www.englertinc.com  
800-364-5378

GENERIC BEST PRACTICE ASSEMBLY SHOWN. WATERTIGHTNESS WARRANTY NOT IMPLIED. WHEN SITE CONDITION DIFFERS, SPECIFIC ENGINEERING NECESSARY.

### E-6/6 STANDARD DETAILS

#### GABLE DETAILS

DETAIL SUBJECT TO CHANGE WITHOUT NOTICE.

Detail #

**W.E66.05**

Project:

Date:

Scale: NTS

Location:

By: