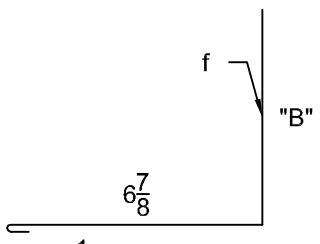
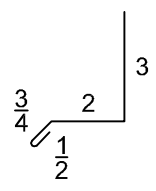


"FS-90-3" BASE ROOF FLASH

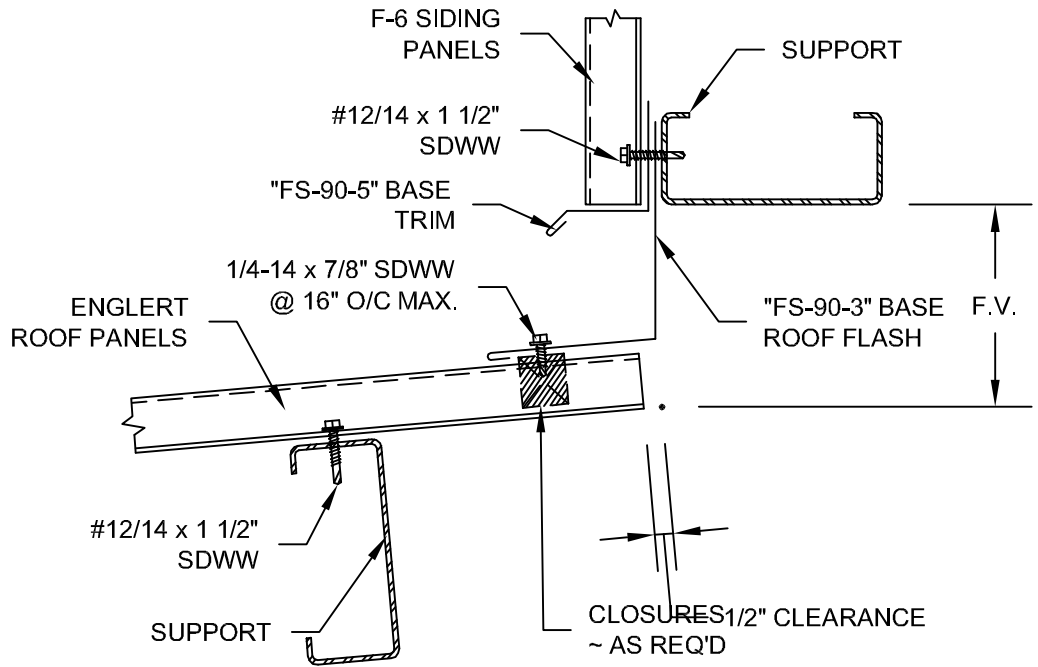
PITCH	"A" ANGLE
1:12	95°
2:12	99°
3:12	104°
4:12	108°
5:12	113°



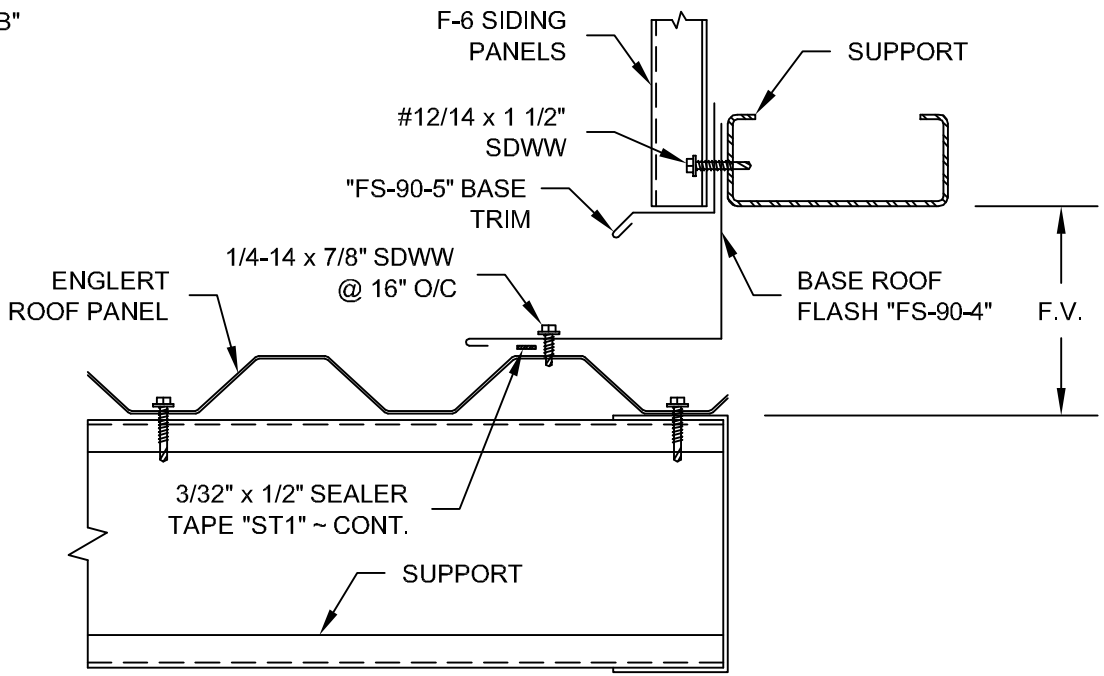
"FS-90-4" BASE ROOF FLASH



"FS-90-5" BASE TRIM



BASE ROOF (HALF RIDGE) DETAIL



BASE ROOF DETAIL

ERECTOR NOTES:

1. ENDS OF BASE ROOF FLASH SHOULD BE CAULKED AND LAPPED 4" AWAY FROM PREVAILING WIND. FLASHING SHOULD BE STITCHED TOGETHER AT ENDS USING TWO 1/4-14 x 7/8" SDWW FASTENERS.
2. "A" & "B" DIMENSIONS VARY DUE TO CONSTRUCTION VARIATIONS.

ENGLERT
 www.englertinc.com
 800-364-5378

GENERIC BEST PRACTICE ASSEMBLY SHOWN. WATERTIGHTNESS WARRANTY NOT IMPLIED. WHEN SITE CONDITION DIFFERS, SPECIFIC ENGINEERING NECESSARY.

E-6/6 STANDARD DETAILS

BASE ROOF DETAILS

Project: _____ Location: _____
 Date: _____ Scale: NTS

DETAIL SUBJECT TO CHANGE WITHOUT NOTICE.

Detail # **W.E66.06**

By: _____