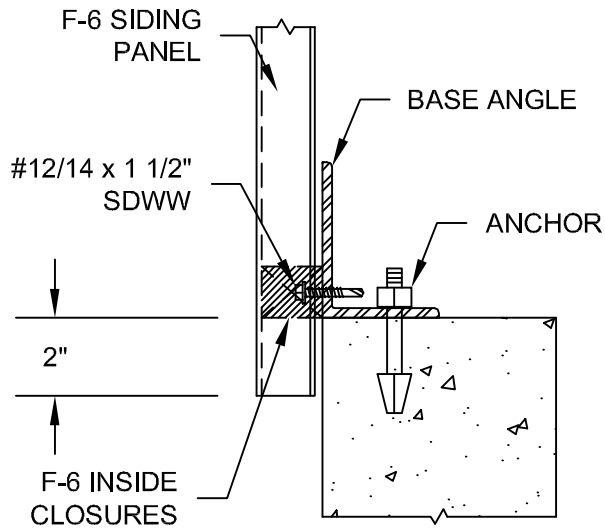
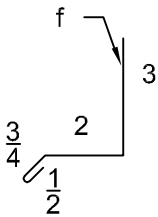


## CURB w/ TRIM



## CURB w/ CLOSURE



"FS-90-5" BASE TRIM



www.englertinc.com  
800-364-5378

GENERIC BEST PRACTICE ASSEMBLY  
SHOWN. WATERTIGHTNESS  
WARRANTY NOT IMPLIED.  
WHEN SITE CONDITION DIFFERS,  
SPECIFIC ENGINEERING NECESSARY.

### E-6/6 STANDARD DETAILS

#### BASE DETAILS

DETAIL SUBJECT TO CHANGE  
WITHOUT NOTICE.

Detail #

**W.E66.07**

Project:

Date:

Scale: NTS

Location:

By: