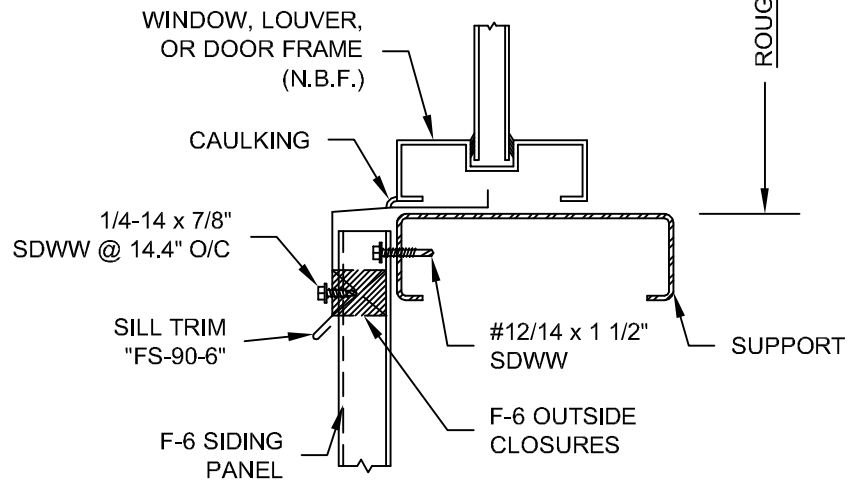
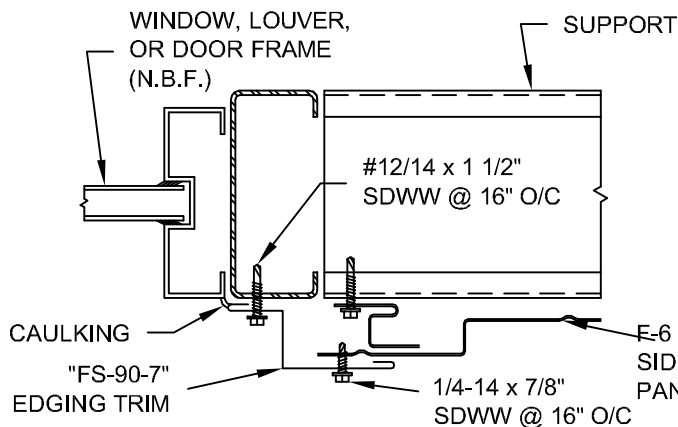


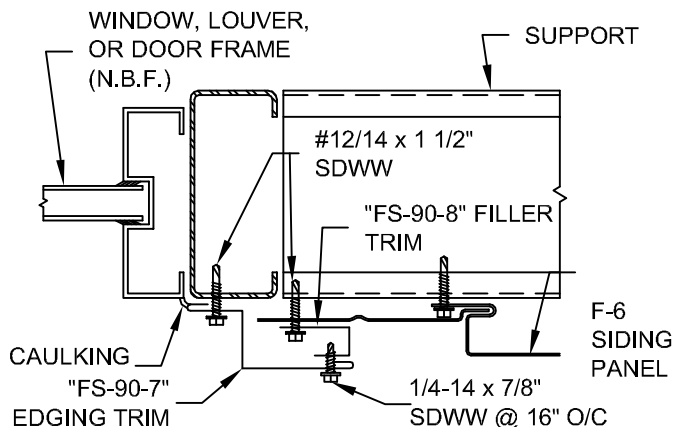
OPENING HEAD



OPENING SILL



OPENING JAMB @ HIGH CELL



OPENING JAMB @ LOW CELL

ENGLERT
www.englertinc.com
800-364-5378
GENERIC BEST PRACTICE ASSEMBLY SHOWN. WATERTIGHTNESS WARRANTY NOT IMPLIED. WHEN SITE CONDITION DIFFERS, SPECIFIC ENGINEERING NECESSARY.

E-6/6 STANDARD DETAILS
OPENING HEAD, SILL, & JAMB DETAILS
Project: _____ Location: _____
Date: _____ Scale: NTS

DETAIL SUBJECT TO CHANGE WITHOUT NOTICE.
Detail # **W.E66.08**
By: _____

FEB 2012 © ENGLERT, INC.