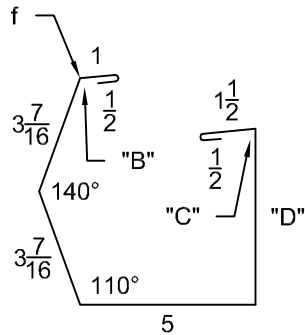
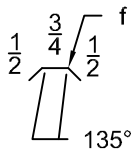


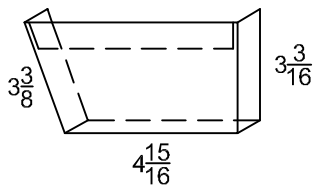
"LE1" EAVE TRIM



"GU1" GUTTER

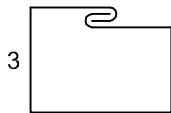


"GB1" GUTTER BARS



"GU1EC(R&L)" END CAPS

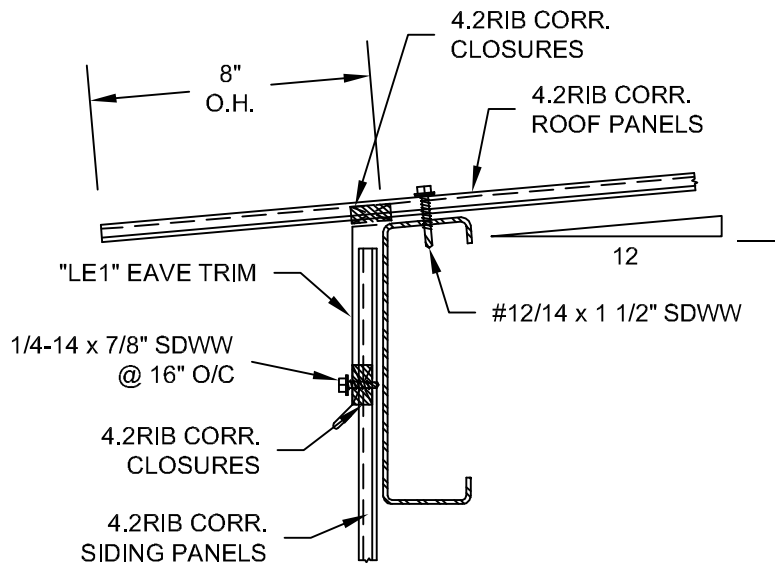
"GU1ECR" ~ AS SHOWN
"GU1ECL" ~ OPP. HAND



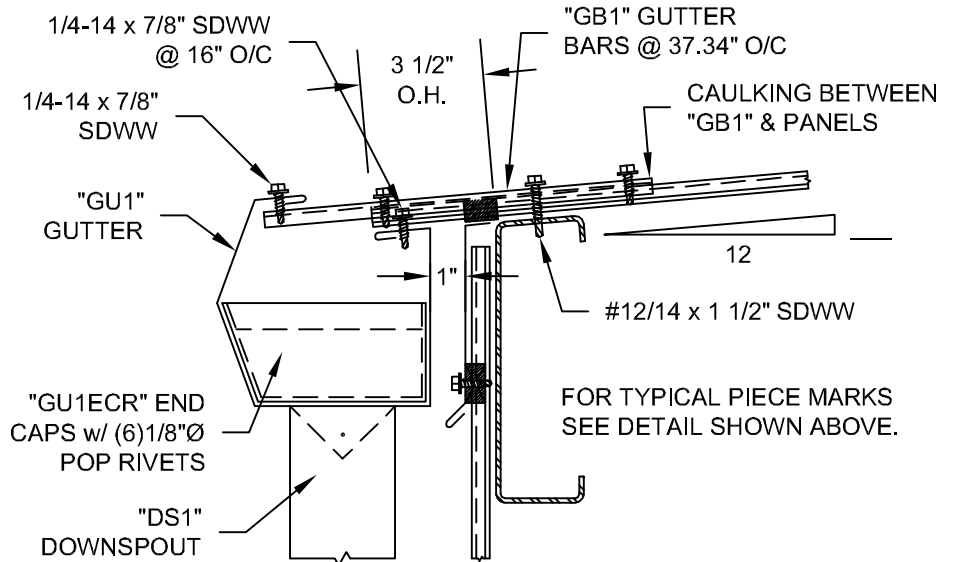
4

"DS1" DOWNSPOUTS

PITCH	"A" DIM.	"B" DIM.	"C" DIM.	"D" DIM.
1:12	95°	115°	85°	6 5/16
2:12	100°	120°	80°	6 3/4
3:12	104°	124°	76°	7 1/8
4:12	109°	129°	71°	7 9/16
5:12	113°	133°	67°	7 15/16



EAVE w/ TRIM



EAVE w/ TRIM & GUTTER

NOTES:

- GUTTER TO BE CAULKED & LAPPED 4" MIN. AND POP RIVETED TOGETHER USING (8) 1/8"Ø POP RIVETS.
- FIELD LOCATE AND MARK DOWNSPOUT LOCATION IN BOTTOM OF GUTTER. DRAW LINE FROM CORNER TO CORNER AND CUT ALONG LINE. BEND TABS DOWN AND POP RIVET INSIDE DOWNSPOUT.
- USE THE CHART TO THE LEFT FOR DIMENSION VALUES FOR YOUR PARTICULAR ROOF PITCH.
- GUTTER SIZE AND GUTTER BAR SPACING MUST BE ADJUSTED TO SUIT LOCAL WEATHER PECULIARITIES AND/OR TO ACCOMMODATE LONG ROOF SLOPES.



www.englertinc.com
800-364-5378

GENERIC BEST PRACTICE ASSEMBLY SHOWN. WATERTIGHTNESS WARRANTY NOT IMPLIED. WHEN SITE CONDITION DIFFERS, SPECIFIC ENGINEERING NECESSARY.

4.2 RIB CORRUGATED STANDARD DETAILS

EAVE DETAILS

DETAIL SUBJECT TO CHANGE WITHOUT NOTICE.

Detail #

W.U42.05

Project:

Location:

Date:

Scale: NTS

By: