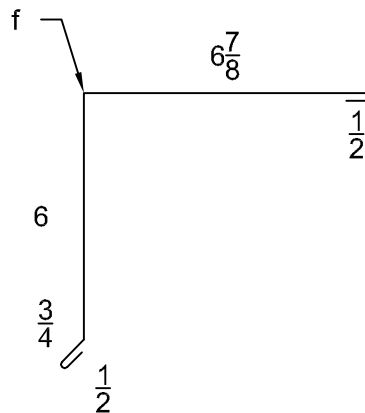


START GABLE DETAIL



"GR1" GABLE TRIM



www.englertinc.com
800-364-5378

GENERIC BEST PRACTICE ASSEMBLY SHOWN. WATERTIGHTNESS WARRANTY NOT IMPLIED. WHEN SITE CONDITION DIFFERS, SPECIFIC ENGINEERING NECESSARY.

4.2 RIB CORRUGATED STANDARD DETAILS

GABLE DETAILS

DETAIL SUBJECT TO CHANGE WITHOUT NOTICE.

Detail #

W.U42.06

Project:

Date:

Scale: NTS

Location:

By: