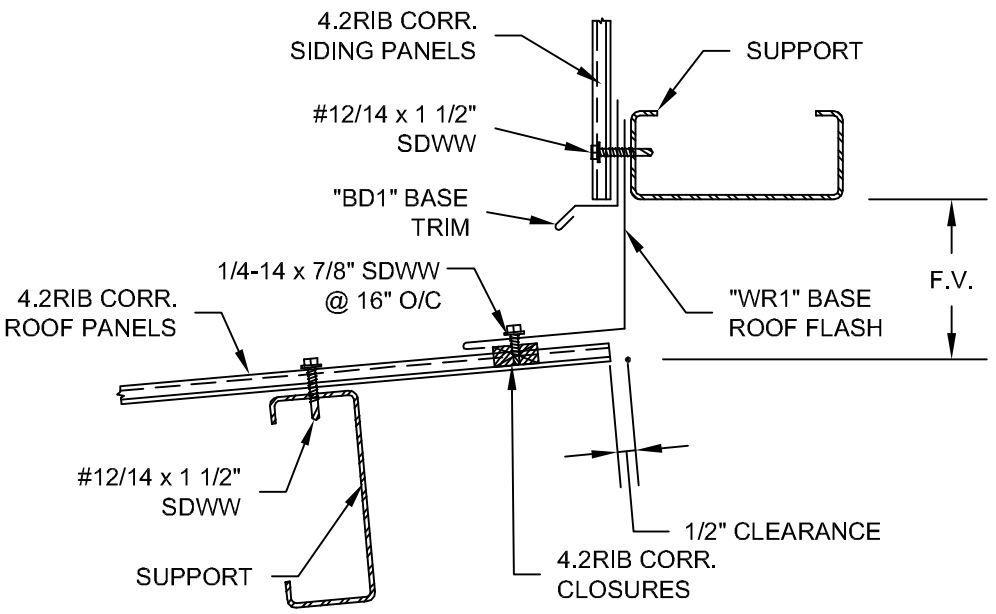
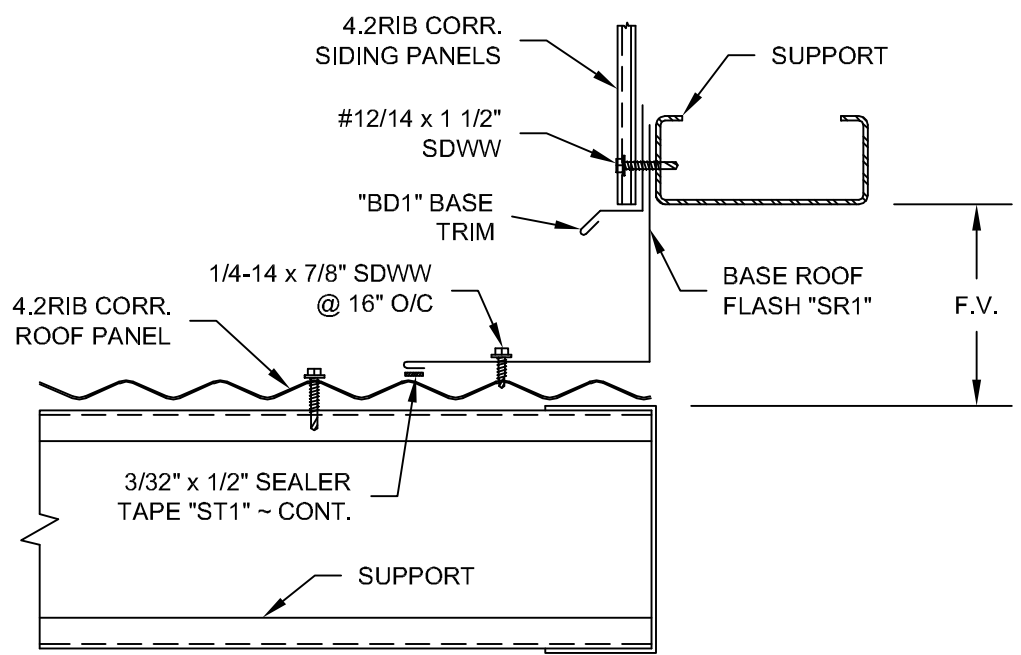
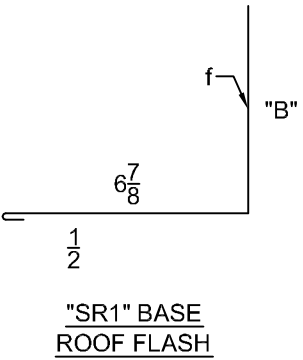


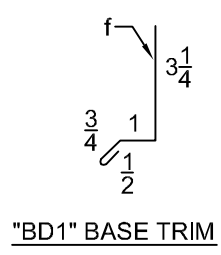
PITCH	"A" ANGLE
1:12	95°
2:12	99°
3:12	104°
4:12	108°
5:12	113°



## BASE ROOF (HALF RIDGE) DETAIL



## BASE ROOF DETAIL



### ERECTOR NOTES:

1. ENDS OF BASE ROOF FLASH SHOULD BE CAULKED AND LAPPED 4" AWAY FROM PREVAILING WIND. FLASHING SHOULD BE STITCHED TOGETHER AT ENDS USING TWO 1/4-14 x 7/8" SDWW FASTENERS.
2. "A" & "B" DIMENSIONS VARY DUE TO CONSTRUCTION VARIATIONS.

**ENGLERT**  
 www.englertinc.com  
 800-364-5378

GENERIC BEST PRACTICE ASSEMBLY SHOWN. WATERTIGHTNESS WARRANTY NOT IMPLIED. WHEN SITE CONDITION DIFFERS, SPECIFIC ENGINEERING NECESSARY.

**4.2 RIB CORRUGATED STANDARD DETAILS**

**BASE ROOF DETAILS**

Project: \_\_\_\_\_ Location: \_\_\_\_\_  
 Date: \_\_\_\_\_ Scale: NTS

DETAIL SUBJECT TO CHANGE WITHOUT NOTICE.

Detail # **W.U42.08**

By: \_\_\_\_\_