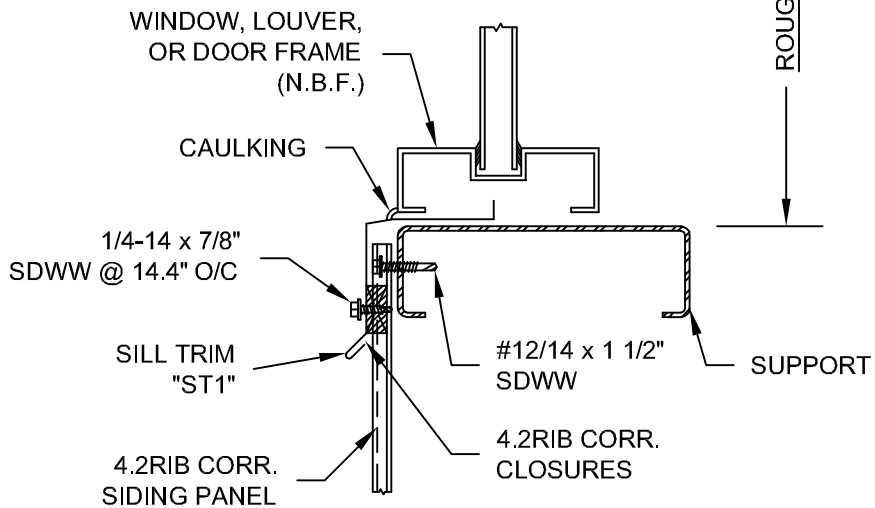
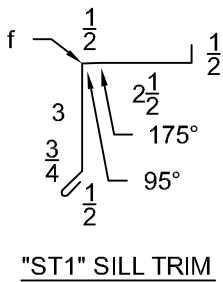
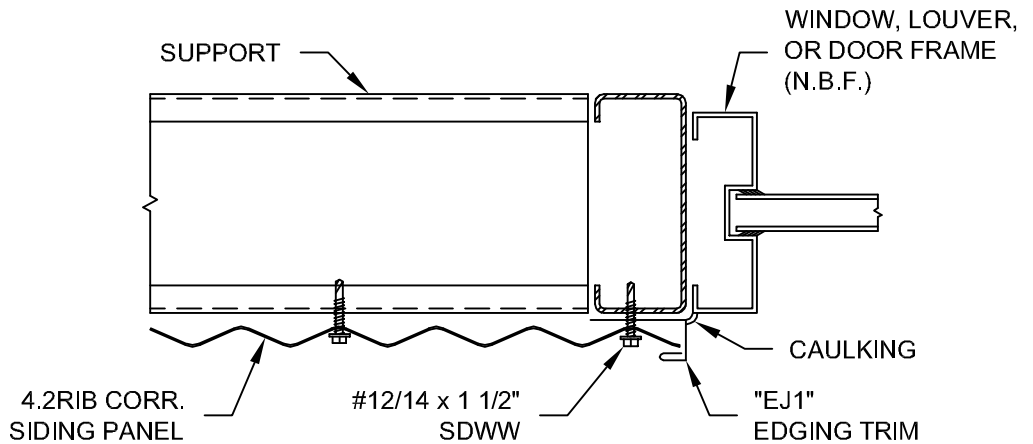
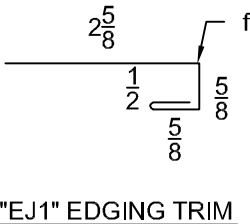


**OPENING HEAD**



**OPENING SILL**



**OPENING JAMB**

**ENGLERT**  
 www.englertinc.com  
 800-364-5378  
 GENERIC BEST PRACTICE ASSEMBLY SHOWN. WATERTIGHTNESS WARRANTY NOT IMPLIED. WHEN SITE CONDITION DIFFERS, SPECIFIC ENGINEERING NECESSARY.

**4.2 RIB CORRUGATED STANDARD DETAILS**  
**OPENING HEAD, SILL, & JAMB DETAILS**  
 Project: \_\_\_\_\_ Location: \_\_\_\_\_  
 Date: \_\_\_\_\_ Scale: NTS

DETAIL SUBJECT TO CHANGE WITHOUT NOTICE.  
 Detail # **W.U42.10**  
 By: \_\_\_\_\_