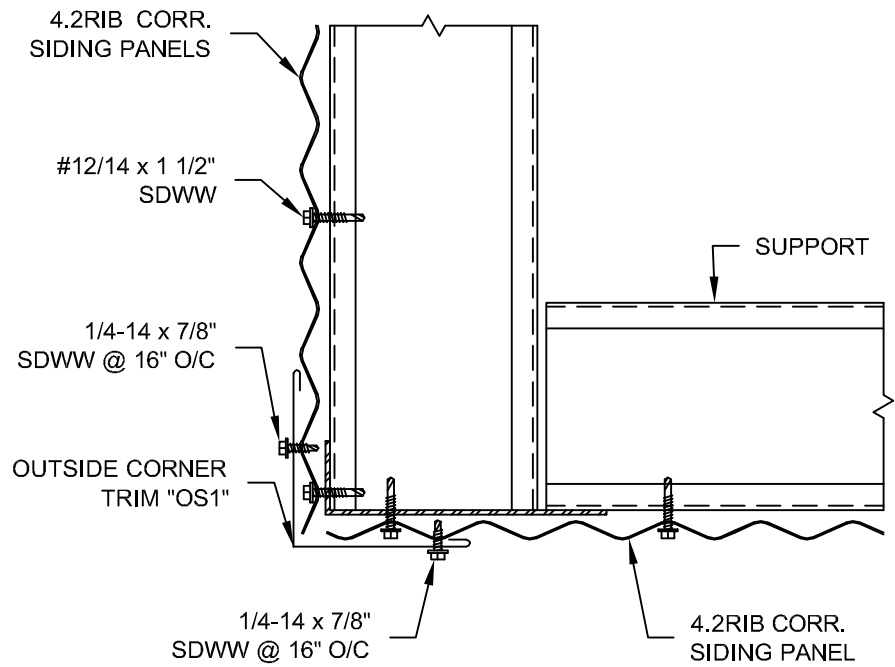
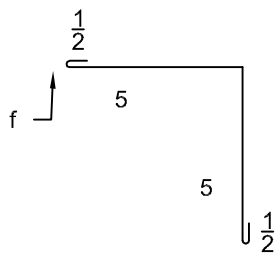


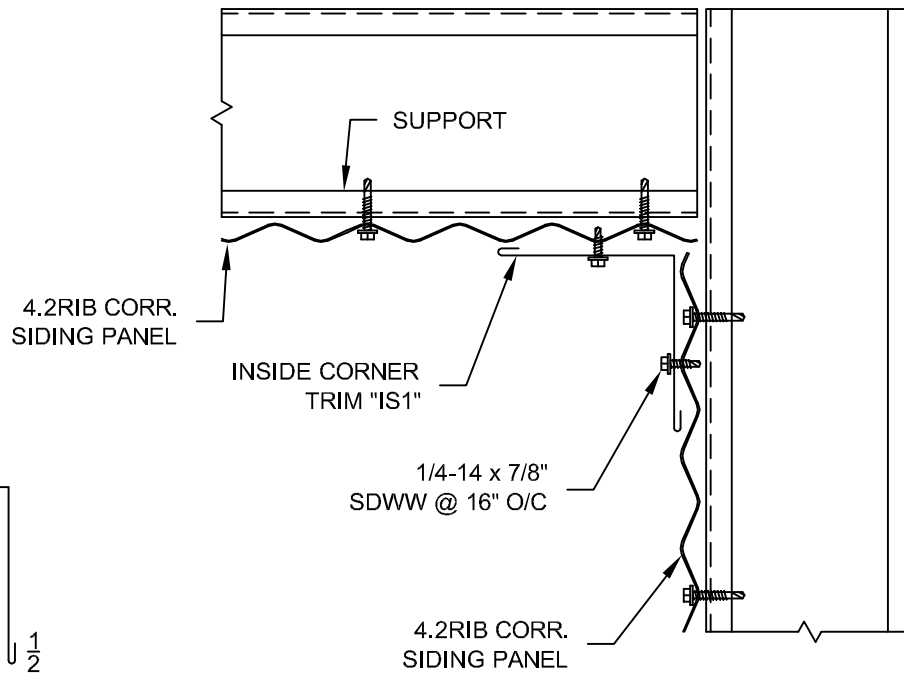
"OS1" OUTSIDE CORNER TRIM



## OUTSIDE CORNER DETAIL



"IS1" INSIDE CORNER TRIM



## INSIDE CORNER DETAIL



www.englertinc.com  
800-364-5378

GENERIC BEST PRACTICE ASSEMBLY SHOWN. WATERTIGHTNESS WARRANTY NOT IMPLIED. WHEN SITE CONDITION DIFFERS, SPECIFIC ENGINEERING NECESSARY.

### 4.2 RIB CORRUGATED STANDARD DETAILS

#### OUTSIDE & INSIDE CORNER DETAILS

DETAIL SUBJECT TO CHANGE WITHOUT NOTICE.

Detail #

**W.U42.11**

Project:

Date:

Scale: NTS

Location:

By: