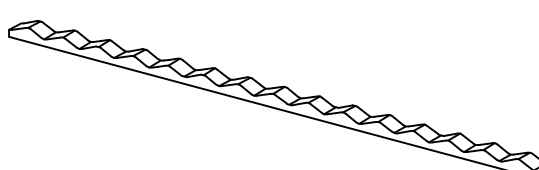
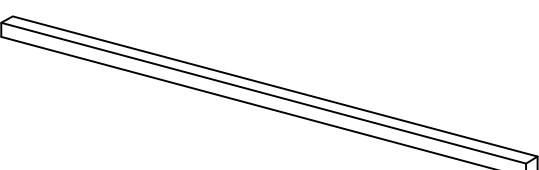
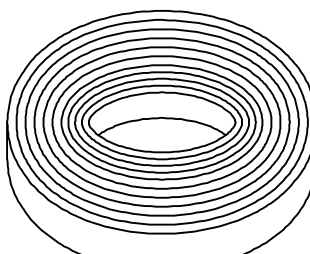




4.2RIB CORR. STANDARD ACCESSORIES

 <p>REQ'D: _____ PCS. @ 3'-4" LG.</p>	 <p>REQ'D: _____ LIN. FT. (25' ROLL)</p>
<u>4.2RIB CORR. CLOSURES</u>	<u>1" x 1" UNIVERSAL CLOSURE</u>
 <p>REQ'D: _____ ROLLS @ 50'-0" LG.</p>	<p><u>SHEETING SCREWS</u></p>  <p>#12/14 x 1 1/2" SDWW REQ'D: _____ PCS.</p> <p><u>LAP & TRIM SCREWS</u></p>  <p>1/4-14 x 7/8" SDWW REQ'D: _____ PCS.</p>
<u>3/32" x 1/2" SEALER TAPE "ST1"</u>	<u>STANDARD FASTENERS</u>

NOTES:

1. 4.2RIB CORRUGATED CLOSURES ARE A CLOSED CELL POLYETHYLENE FACTORY FORMED TO THE PANEL PROFILE AS SHOWN ABOVE.
2. SEALER TAPE IS A NON-DRYING, NON-SKINNING, BUTYL BASE TAPE SUPPLIED IN 3/32" THICK x 1/2" WIDE x 50' ROLLS.
3. FASTENERS ARE ZINC PLATED CARBON STEEL, 5/16" HEX HEAD, SELF DRILLING & SELF TAPPING METAL SCREWS. FASTENERS CAN BE SUPPLIED WITH PAINTED HEADS TO MATCH ROOFING OR SIDING.
4. CONTACT FACTORY FOR PRICE AND AVAILABILITY OF NON-STANDARD ACCESSORIES.



www.englertinc.com
800-364-5378

GENERIC BEST PRACTICE ASSEMBLY SHOWN. WATERTIGHTNESS WARRANTY NOT IMPLIED. WHEN SITE CONDITION DIFFERS, SPECIFIC ENGINEERING NECESSARY.

4.2 RIB CORRUGATED STANDARD DETAILS

STANDARD ACCESSORIES

DETAIL SUBJECT TO CHANGE WITHOUT NOTICE.

Detail #

W.U42.17

Project:

Location:

Date:

Scale: NTS

By: