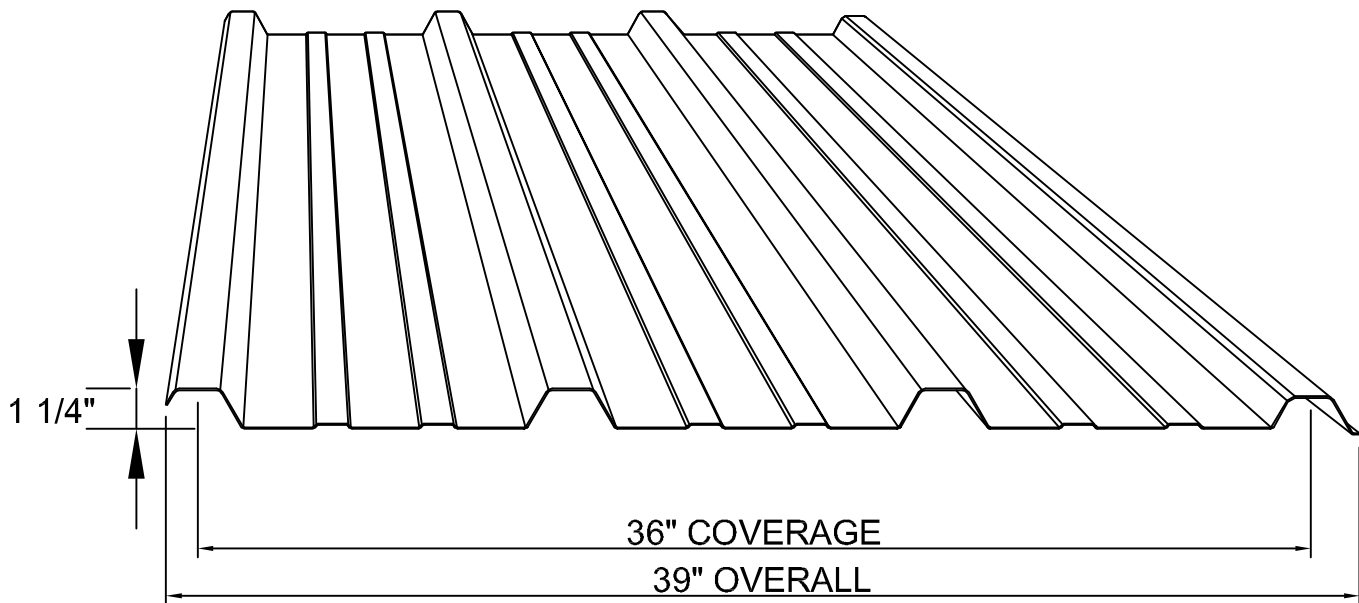


# "UNILINE R" STANDARD DETAILS



## Uniline R Load Table

Non-Standard Stock (Stress governing, 37 ksi yield)

Standard Stock (Stress governing, 50 ksi yield)

ENGLERT RESERVES THE RIGHT TO REVISE, ADD, OR DELETE ANY DETAIL OR INFORMATION HEREIN WITHOUT PRIOR NOTICE.



www.englertinc.com  
800-364-5378

GENERIC BEST PRACTICE ASSEMBLY  
SHOWN. WATERTIGHTNESS  
WARRANTY NOT IMPLIED.  
WHEN SITE CONDITION DIFFERS,  
SPECIFIC ENGINEERING NECESSARY.

### UNILINE R STANDARD DETAILS

COVER

DETAIL SUBJECT TO CHANGE  
WITHOUT NOTICE.

Detail #

W.UR.00

Project:

Date:

Location:

Scale: NTS

By: